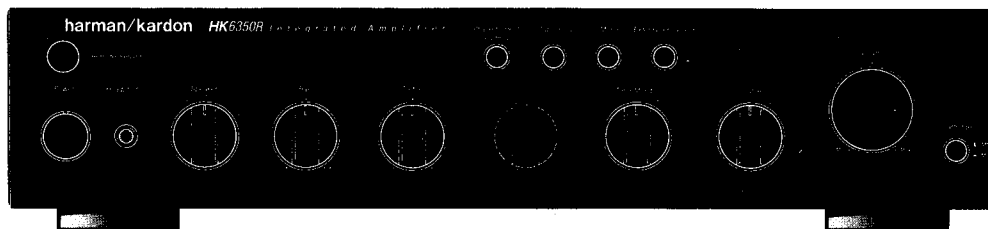


The Harman Kardon Model HK6350R INTEGRATED AMPLIFIER

Manual 183A

Technical Manual



The following marks found in the parts list of this manual identify the models as follows.

- BK** : North America area model Black version
- G** : German model
- GB** : German model Black version
- IB** : International model Black version
- WB** : Asia/Oceania model Black version

CONTENTS

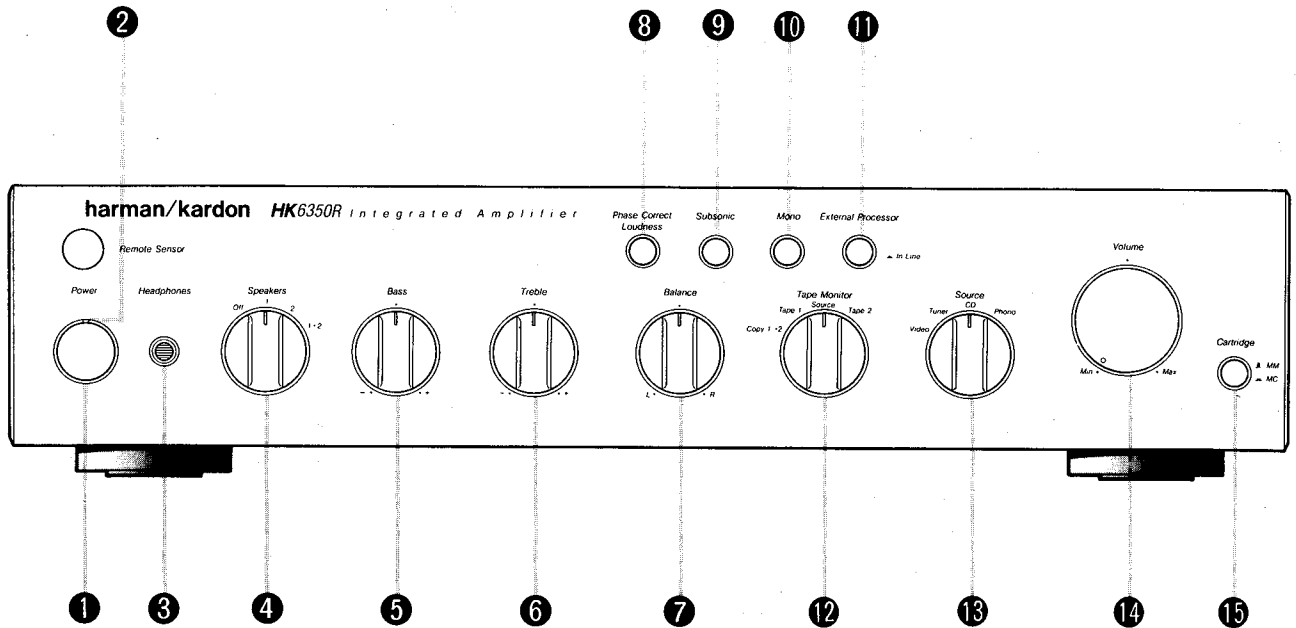
SPECIFICATIONS	2	ALIGNMENT PROCEDURES	8
LEAKAGE TEST	2	BLOCK DIAGRAM	8
CONTROL AND FUNCTIONS	3	P. C. BOARDS	9
DISASSEMBLY PROCEDURES	5	ELECTRICAL PARTS LIST	12
POWER CORD REPLACEMENT	5	SCHEMATIC DIAGRAMS	17
GENERAL UNIT PARTS LIST	6	WIRING DIAGRAM	20
GENERAL UNIT	7		

harman/kardon

Parts and Service Office
240 Crossways Park West, Woodbury, N.Y. 11797
1112-0200A152 P-129201 1500 Printed in Japan

HK6350R

CONTROLS AND FUNCTIONS



1 POWER Switch

Press this switch to turn the unit "On". Pressing it again will turn the unit off. While it is in the "On" position, the remote control can switch the unit between the "On" and "Standby" modes. The remote control is inactive when this switch is "Off". Note that this unit will draw a small amount of power when this switch is "Off".

2 POWER Indicator

With the power switch is in the "On" position, this indicator is illuminated in green when the unit is "On", and is illuminated in amber when the unit is in "Standby". This indicator will not illuminate when the power switch is "Off".

3 HEADPHONES Jack

Stereo headphones with a standard 1/4 inch plug can be connected to this jack. When the *SPEAKERS* selector is in the *Off* position, sound can still be obtained via the headphone jack.

4 SPEAKERS Selector

This selector is used to select the desired speaker system(s).
Off : Select this position to listen to sound via the headphone with no sound from the speaker system(s).
 1 : Select this position to actuate the speaker system connected to the *SPEAKER SYSTEM 1* terminal.
 2 : Select this position to actuate the speaker system connected to the *SPEAKER SYSTEM 2* terminal.
 1 + 2 : Select this position to actuate simultaneously the two speaker systems connected to the *SPEAKER SYSTEM 1* and *2* terminals respectively.

5 BASS Control Knob

This knob controls the low frequency sound level. Turn it clockwise to boost or counterclockwise to reduce the low frequency sound level.

6 TREBLE Control Knob

This knob controls the high frequency sound level. Turn it clockwise to boost or counterclockwise to reduce the high frequency sound level.

7 BALANCE Control Knob

This knob is used to balance the left and the right channels. Usually, it is set at the center. Turn it to the left or right to balance the sound if it seems unbalanced from the speakers or the headphones.

8 Phase Correct Loudness Switch

This switch activates a unique low frequency equalization circuit that provides full, natural sound from small speakers that are normally deficient in the bass region. It can also be used in place of conventional loudness compensation.

9 Subsonic Filter Switch

When playing the turntable, this filter switch is used to reduce subsonic frequencies, which may excessively vibrate the speaker cones or turntable and cause feedback.

10 Mono Switch

This switch is used to combine the left and right channels and create a mono signal.

11 External Processor Switch

This switch activates a special "loop" which routes sound out of the amplifier, into a signal processor and back into the amplifier.

It can be used for equalizers, surround sound processors, dynamic noise reducers, or for special outboard processors required for certain speaker designs.

12 TAPE MONITOR Selector

This selector is used when playing a tape deck, or monitoring during recording.

Copy 1 → 2 : Select this position to duplicate the cassette tape in the deck connected to the TAPE 1 jacks onto the tape in the deck connected to the TAPE 2 jacks.

Tape 1 : Select this position to play a cassette tape, or to monitor during recording on the tape deck connected to the TAPE 1 jacks.

Source : Select this position to listen to a program source other than a cassette tape.

Tape 2 : Select this position to play a cassette tape, or to monitor during recording on the tape deck connected to the TAPE 2 jacks.

13 SOURCE Selector

This selector is used to select a program source other than a tape.

Video : Select this position to playback the audio signals from an audio/video component such as a camcorder, video player, or TV tuner connected to the VIDEO jack.

Tuner : Select this position to listen to an FM or AM broadcast from the stereo tuner connected to the TUNER jacks.

CD : Select this position to listen to the sound from a compact disc player connected to the CD jacks.

Phono: Select this position to listen to a disc played on the turntable connected to the PHONO MM or MC jacks.

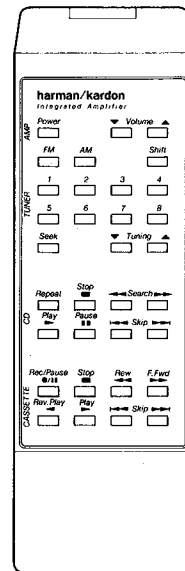
14 VOLUME Control Knob

This knob controls the sound level. Turning clockwise increases the sound volume, and turning counterclockwise decreases it. Set this knob at a minimum level before turning the power on or changing the sound source to protect the speakers from being damaged by a sudden high level sound.

15 Cartridge Selector

This switch selects the gain and input impedance of the phono input circuitry to match the type of phono cartridge used. Be sure to connect the turntable to the appropriate PHONO input jacks (MM for moving magnet type cartridges and MC for moving coil type cartridges), and to select that input with this selector switch.

REMOTE CONTROL



Using the remote control:

The system remote control can switch the amplifier's power status between "on" and "standby". The amplifier's power switch must be manually set in the "on" position in order for the remote control to function.

The volume up and down buttons control the position of the amplifier's volume control knob.

In addition to this amplifier, this system remote control can operate many basic functions on the following Harman Kardon tuners, CD players and cassette decks:

HD7450	HD7600II	TD4200*	TD4800	TU9200*
HD7500	TL8500	TD4400*	DC5300*	TU9400
HD7500II	TL8600	TD4500	DC5500	TU9600
HD7600		TD4600	DC5700	

Please refer to the owner's manual for each unit for operating instructions.

*These units must be connected to the amplifier's remote control output jacks so that the system remote control can operate them.

Operating Conditions

The control unit operates effectively within a distance of 7 meters (23 feet) and an angle of 30° from the amplifier. Using the control near fluorescent lights may shorten this range, as will any dust or dirt that accumulates on the front of the remote control, or the "Remote Sensor" area of the amplifier. Also avoid blocking the line of sight between amplifier and remote.

The control unit is powered by two AA batteries, included with your receiver. When you replace weak batteries, replace both at the same time. When the remote is to be unused for an extended period, remove the batteries to prevent damage from corrosion.

DISASSEMBLY PROCEDURES (REFER TO PAGES 7 AND 20)

1 CABINET TOP ASS'Y (AD) REMOVAL

Remove 6 screws (A) and then remove the Cabinet Top Ass'y (AD).

2 FRONT PANEL ASS'Y (AA) REMOVAL

1. Remove the Cabinet Top Ass'y (AD), referring to the previous step 1.
2. Remove 5 screws (B) and then Front Panel Ass'y (AA).

3 BASS CONTROL P. C. BOARD (PCB-6) REMOVAL

1. Remove the Front Panel Ass'y (AA), referring to the previous step 2.
2. Open the lid of connector (CN502) on the Main P. C. Board (PCB-1) and then disconnect the lead wires (JL502).
3. Open the lid of connector (CN501) on the Function P. C. Board (PCB-5) and then disconnect the lead wires (JL501).
4. Open the lid of connectors (CN503, CN504 and CN505) on the Bass Control P. C. Board (PCB-6) and then disconnect the 3 lead wires (W-403, W-402 and JL505).
5. Remove 2 screws (C) and then remove the Bass Control P. C. Board (PCB-6).
If necessary, unsolder the lead wire connected to the PCB-6.

4 MAIN P. C. BOARD (PCB-1) REMOVAL

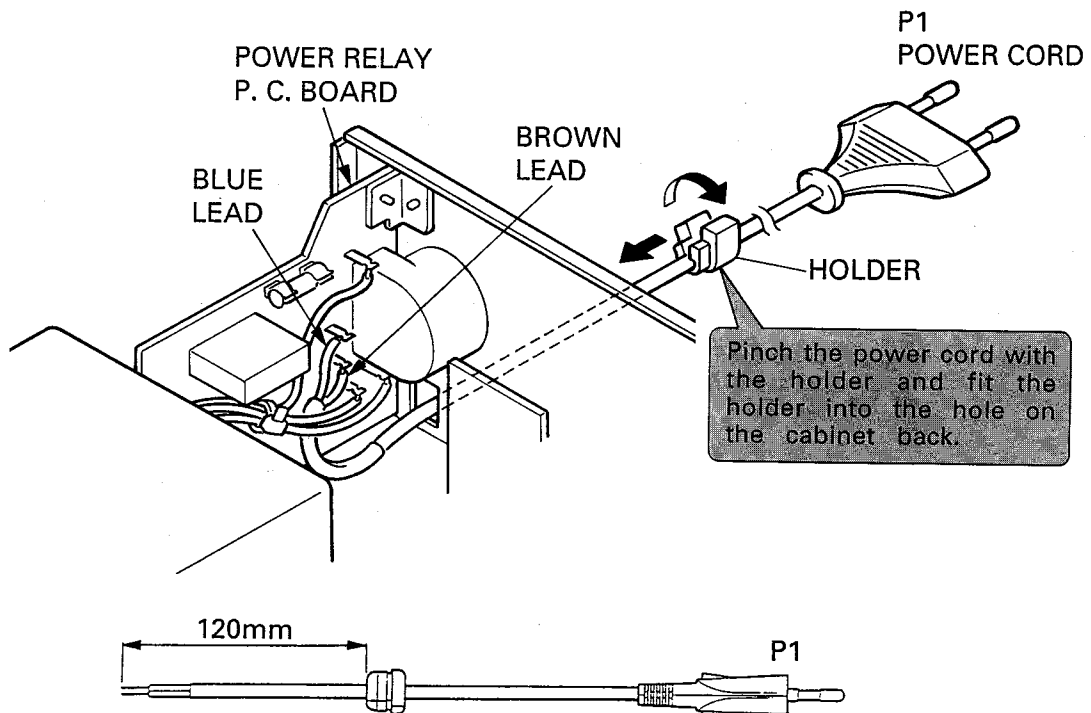
1. Remove the Bass Control P. C. Board (PCB-6), referring to the previous step 3.
2. Pull out 6 Rotary Knobs (152).
Disconnect 1 connector (LCN4) from connector (CN4) on the Volume P. C. Board (PCB-10). Pull out Volume Rotary Knob (150).
3. Open the lid of connector (CN601) on the Main P. C. Board (PCB-1) and then disconnect the lead wire (JL601).
4. Open the lid of connector (CN109) on the Function P. C. Board (PCB-5) and then disconnect the lead wire (JL107).
5. Remove 6 screws (D) and 3 hexagon nuts (E) and then remove the Main P. C. Board (PCB-1).
If necessary, unsolder the lead wires connected to the PCB-1.

5 FUNCTION P. C. BOARD (PCB-5) REMOVAL

1. Remove the Main P. C. Board (PCB-1), referring to the previous step 4.
2. Pull out the Shafts (215 and 216).
3. Remove 10 screws (F) and then remove the Cabinet Back Ass'y (AB) with the Speakers P. C. Board (PCB-2).
4. Remove 3 screws (G) and 2 hexagon nuts (H) and then remove the Function P. C. board (PCB-5) with the Equalizer P. C. Board (PCB-7).

POWER CORD REPLACEMENT (FOR SERVICE ENGINEERS OTHER THAN NORTH AMERICA)

In order to prevent fire or shock hazard when replacing the power cord, follow the procedure below to replace the parts with the standard supply parts.



GENERAL UNIT PARTS LIST

Ref. No.	Part No.	Description	Ref. No.	Part No.	Description
AA	A443-HK6350RA	FRONT PANEL ASSEMBLY G	157	1319-02201	LEG, BOTTOM REAR (x2)
AA	A443-HK6350RB	FRONT PANEL ASSEMBLY BK GB WB IB	158	1319-03301	LEG, BOTTOM FRONT (x2)
AB	A424-HK6350RA	CABINET BACK ASSEMBLY BK	161	2211-7295	CHASSIS, FRONT
AB	A424-HK6350RC	CABINET BACK ASSEMBLY G GB IB	163	2219-8179	METAL FITTG, MAIN HEAT SINK
AB	A424-HK6350RG	CABINET BACK ASSEMBLY WB	164	2219-8178	METAL FITTG, MM/MC SHAFT
AC	A424-HK6350RB	CABINET BOTTOM ASSEMBLY BK	165	2219-8298	METAL FITTG, REMOTE IN/OUT PCB
AD	A414-HK6350RA	CABINET TOP ASSEMBLY BK	166	2219-8347	METAL FITTG, BOTTOM
AD	A414-HK6350RB	CABINET TOP ASSEMBLY G GB WB IB	167	2219-8348	METAL FITTG, BOTTOM CENTER
023	2219-8350	METAL FITTG, SUB TRANS PCB G GB WB IB	168	2219-8349	METAL FITTG, SUB TRANS PCB
024	2327-R0130062	SCREW, BND+ (3x6 mm) G GB WB IB	171	2219-8019	METAL FITTG, POWER SWITCH
025	2112-11802	SPONGE, TRANS (x2) G GB WB IB	172	2219-8247	METAL FITTG, EQ PCB
027	2459-3003511	REVET, PLASTIC G GB WB IB	173	2219-8207	METAL FITTG, BOTTOM
028	1756-21903	LABEL	174	2219-7879	METAL FITTG, HEADPHONES JACK
113	1117-78	SERIAL LABEL, BOTTOM	177	2222-7228	HEAT SINK, MAIN BK
116	1756-05910	LABEL, FUSE CAUTION BK	177	2222-7233	HEAT SINK, MAIN G GB WB IB
117	1756-R011N251	LABEL, 250 mA/125V BK	178	2222-7214	HEAT SINK, DRIVER (x2)
119	1756-CSA	LABEL, CSA BK	179	2222-7067	HEAT SINK, DRIVER (x2)
131	1414-11501	CABINET TOP BK	180	2222-7230	HEAT SINK, EQ
131	1414-04901	CABINET TOP G GB WB IB	191	2240-364	HOLDER, AC CORD
133	1424-35601	CABINET BOTTOM	192	2240-7359	HOLDER, SPEAKER OPERATING MODE BK WB
134	1424-35701	CABINET BACK BK	193	2240-R0101	HOLDER, WIRING (x19)
134	1424-35702	CABINET BACK G GB IB	197	2112-11771	SPONGE (x3)
134	1424-35703	CABINET BACK WB	201	2218-89	BRACKET, FIX, HEADPHONES JACK
136	1443-14005	FRONT PANEL G	202	2218-R0130	BRACKET, FIX, FUNCTION PCB (x3)
136	1443-14006	FRONT PANEL BK GB WB IB	203	2218-R0230	BRACKET, FIX, SPEAKER LEAD
139	1532-21101	WINDOW, REMOTE SENSOR	204	2224-7137	INSULATOR, CABINET TOP (x2)
141	1562-08201	FRAME, L-SIDE G	206	2216-7200	SHIELD PLATE, JACK PCB
141	1562-08202	FRAME, R-SIDE BK GB WB IB	207	2360-7015	BOSS, SPE, BOTTOM (x2)
142	1562-08301	FRAME, R-SIDE G	208	2360-7026	BOSS, SPE, REMOTE SENSOR PCB (x3)
142	1562-08302	FRAME, R-SIDE BK GB WB IB	211	2402-0374	WASHER PLASTIC
146	1662-66901	PUSH BUTTON, POWER G	213	2672-7018	LEVER, POWER SHAFT
146	1662-66902	PUSH BUTTON, POWER BK GB WB IB	215	2601-7170	SHAFT, CARTRIDGE SWITCH
147	1662-67001	PUSH BUTTON, PHASE CORRECT LOUDNESS, SUBSONIC, MONO, EXTERNAL PROCESSOR, CARTRIDGE G	216	2601-7165	SHAFT, CARTRIDGE BUTTON
147	1662-67002	PUSH BUTTON, PHASE CORRECT LOUDNESS, SUBSONIC, MONO, EXTERNAL PROCESSOR, CARTRIDGE BK GB WB IB	219	2651-110518	SPRING, VOLUME
150	1630-04601	ROTARY KNOB, VOLUME G	220	2651-2101728	SPRING, PUSH BUTTON (x5)
150	1630-04602	ROTARY KNOB, VOLUME BK GB WB IB	226	2327-R0130082	SCREW, BND+ (3x8 mm)
152	1632-21501	ROTARY KNOB, SPEAKER, BASS, TREBLE, BALANCE, TAPE MONITOR, SOURCE G	228	2327-R0130062	SCREW, BND+ (3x6 mm)
152	1632-21502	ROTARY KNOB, SPEAKER, BASS, TREBLE, BALANCE, TAPE MONITOR, SOURCE BK GB WB IB	229	2327-R0130062	SCREW, BND+ (3x6 mm)(x2)
154	1732-08801	INDACATOR, LED	230	2327-R0130064	SCREW, BND+ (3x6 mm)(x8)
155	1742-08301	ORNAMENT, POWER G	232	2347-R0126082	SCREW, BND T+ (2.6x8 mm)
155	1742-08302	ORNAMENT, POWER BK GB WB IB	233	2347-R0130062	SCREW, BND T+ (3x6 mm) BK IB G GB
156	1742-08401	ORNAMENT, PHASE CORRECT LOUDNESS, SUBSONIC, MONO, EXTERNAL PROCESSOR G	234	2347-R0130062	SCREW, BND T+ (3x6 mm)(x2)
156	1742-08402	ORNAMENT, PHASE CORRECT LOUDNESS, SUBSONIC, MONO, EXTERNAL PROCESSOR BK GB WB IB	235	2347-R0130062	SCREW, BND T+ (3x6 mm)(x2)
			236	2347-R0130062	SCREW, BND T+ (3x6 mm)(x34)
			237	2347-R0130084	SCREW, BND T+ (3x8 mm)(x20)
			239	2347-R0130102	SCREW, BND T+ (3x10 mm)
			240	2347-R0130102	SCREW, BND T+ (3x10 mm)(x3)
			241	2347-R0140064	SCREW, BND T+ (4x6 mm)(x4)
			242	2347-400827	SCREW, BND T+ (4x8 mm)(x4)
			245	2557-301429	SCREW, B SPW+ (3x4 mm)(x4)
			246	2557-300829	SCREW, B SPW+ (3x8 mm)(x6)
			248	2401-0373	WASHER, METAL (x2)
			696	4214-168	TERMINAL, GND
			715	2440-62	NUT, SPE

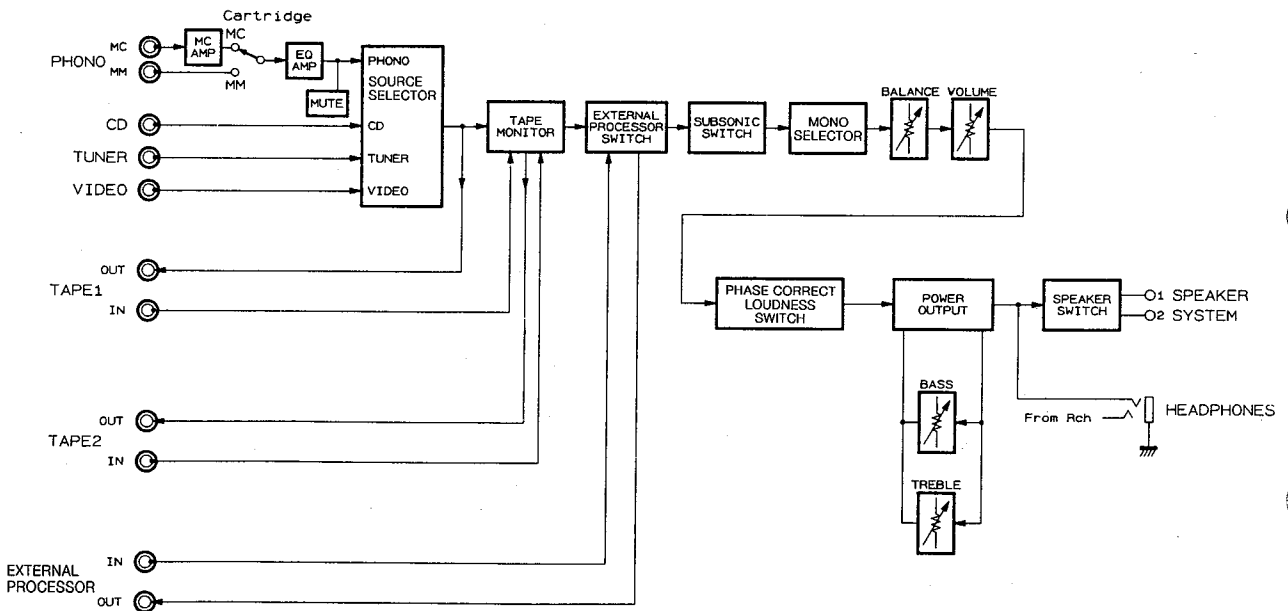
ALIGNMENT PROCEDURES (REFER TO PAGES 9, 11, 18 AND 19)

- Conditions :**
- Set the Volume control to minimum.
 - Set the Speakers selector to "off" position.
 - Set the Speaker Operating Mode switch to "8Ω" position.
 - Make the adjustment at a room temperature of 77°F (25°C).
 - After the Power switch is pushed on, wait for 30 minutes before measuring to be sure of the most stable operation.

■ IDLING CURRENT ADJUSTMENT

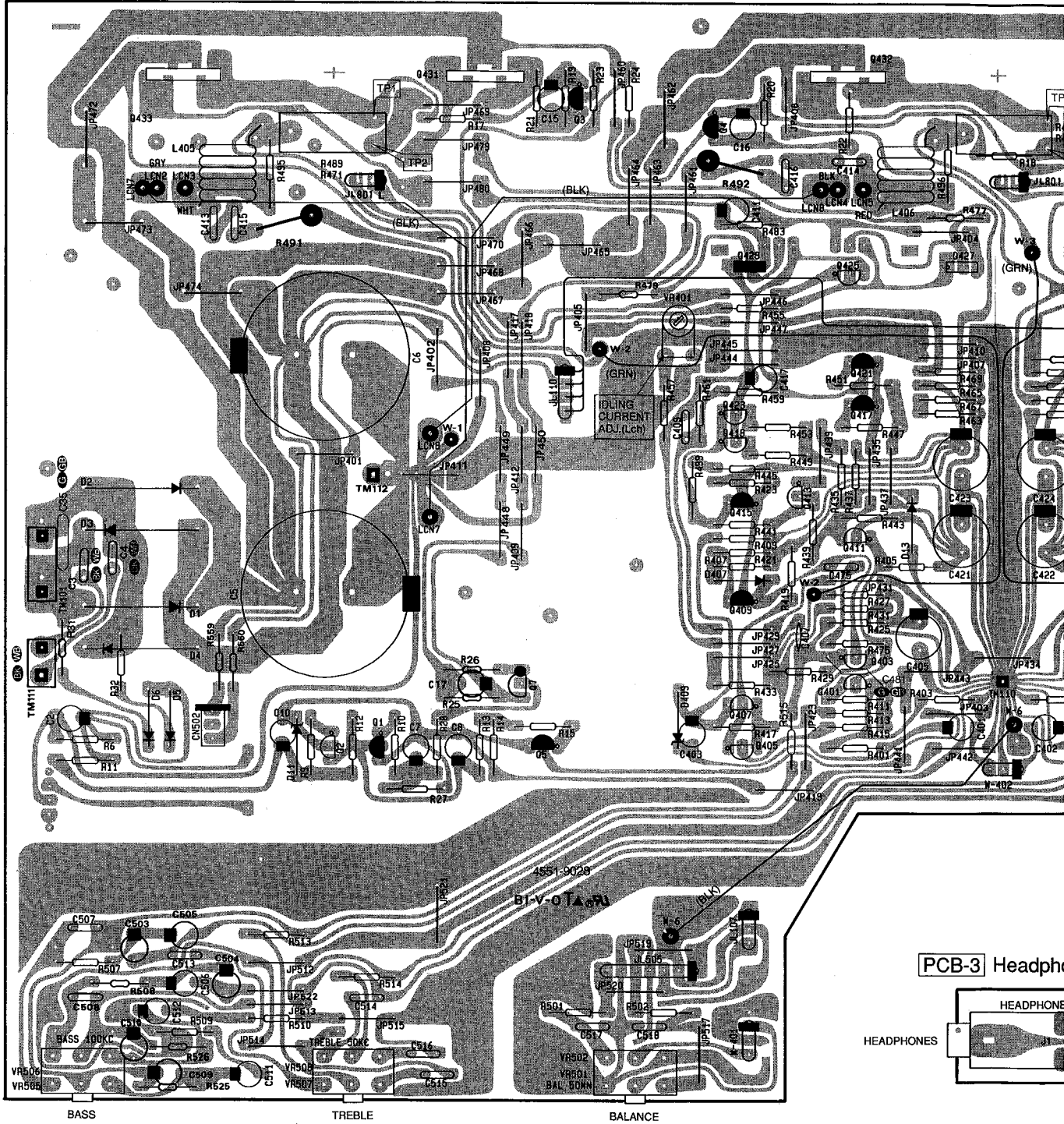
Step	Connection Equipments	Adjustment	For
1	Connect the Digital Volt Meter to TP1 and TP2.	VR401 (L ch)	40 mV ±2 mV
2	Connect the Digital Volt Meter to TP3 and TP4.	VR402 (R ch)	40 mV ±2 mV

BLOCK DIAGRAM

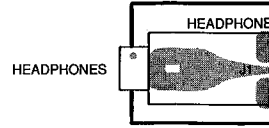


P. C. BOARDS (1)

PCB-1 Main P.C. Board



PCB-3 Headph...



1

2

3

4

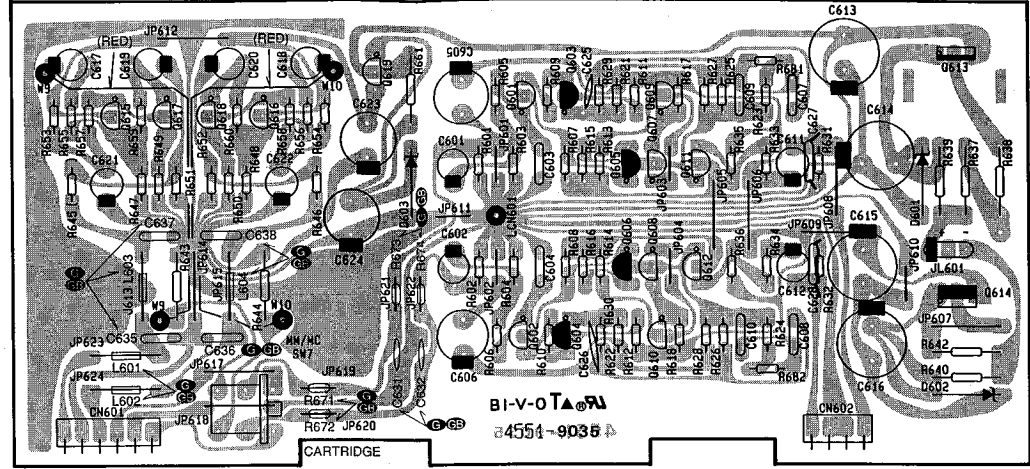
5

6

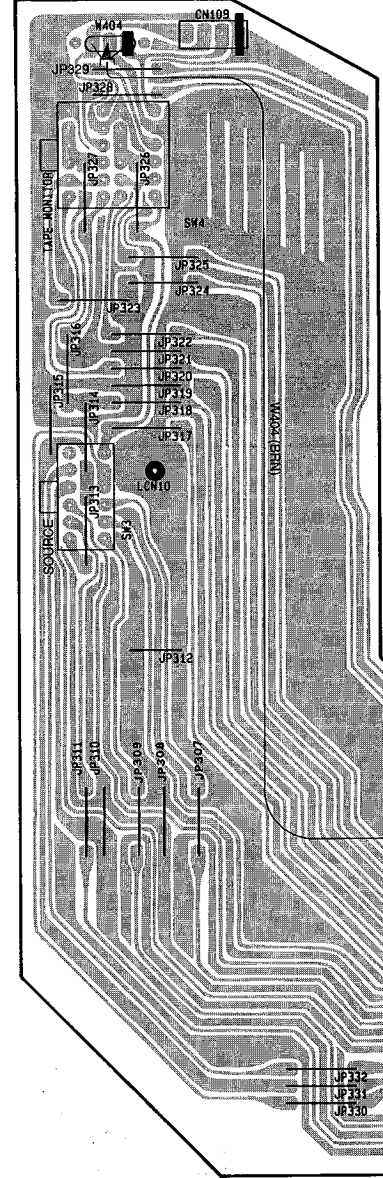
7

P. C. BOARDS (2)

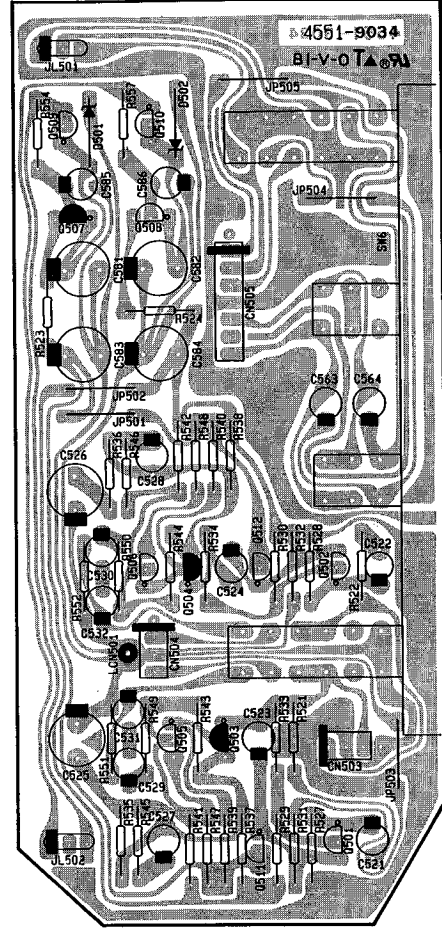
PCB-7 Phono P.C. Board



PCB-5 Function P.C. Board



PCB-6 Bass Cont P.C. Board

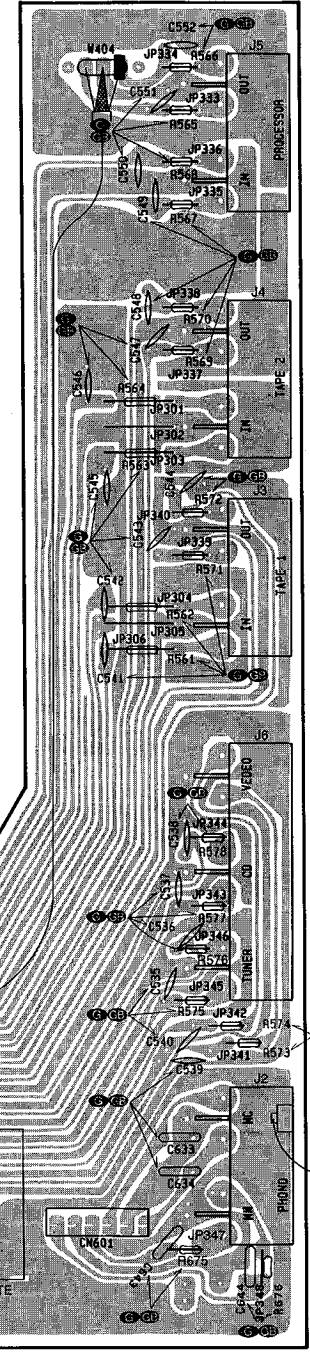


EXTERNAL PROCESSOR

MONO

SUBSONIC

PHASE CORRECT LOUDNESS



SHIELD PLATE

C640

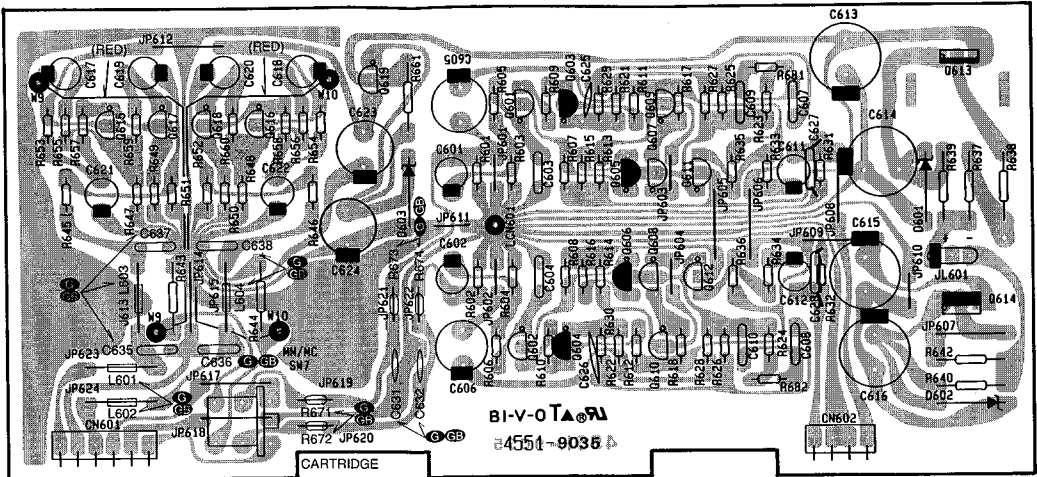
LUG

W-5

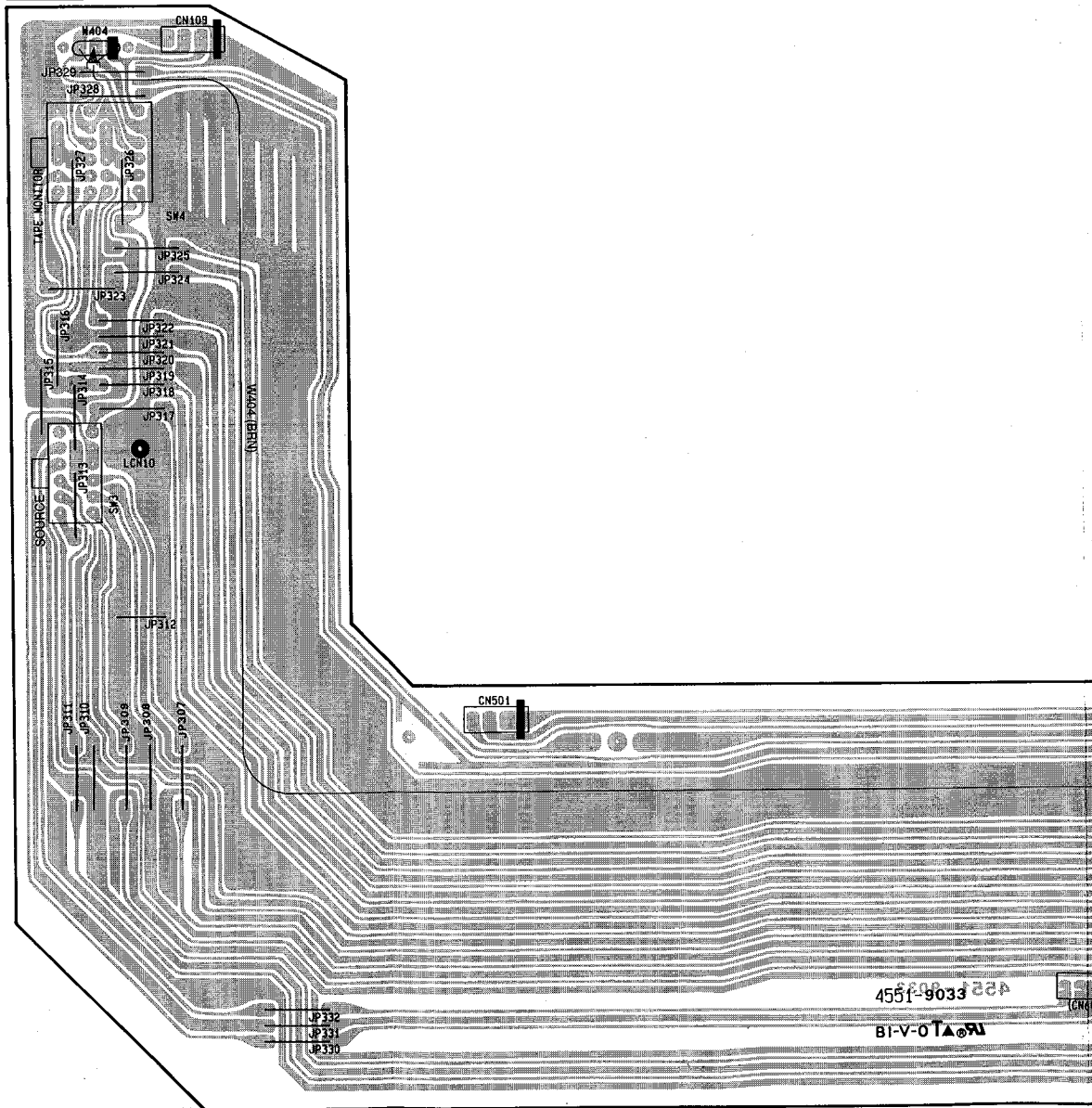
1
2
3
4
5
6
7

P. C. BOARDS (2)

PCB-7 Phono P.C. Board



PCB-5 Function P.C. Board

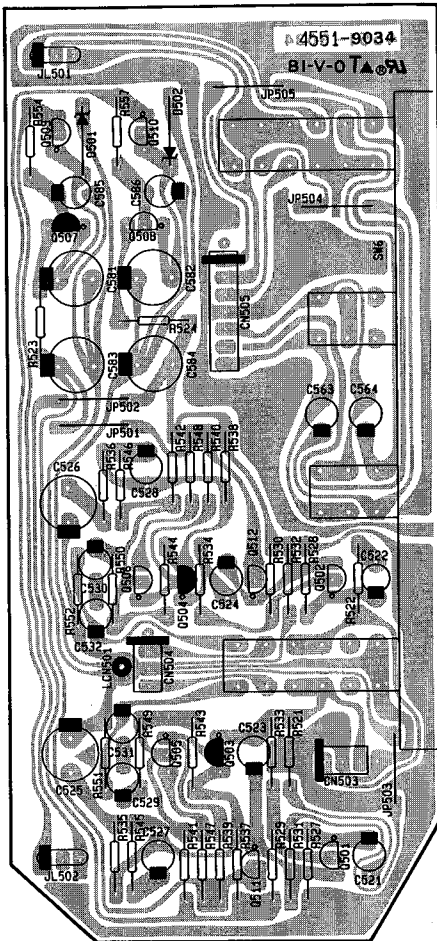


4551-9033

BI-V-O-T

1
2
3
4
5
6
7

PCB-6 Bass Cont P.C. Board

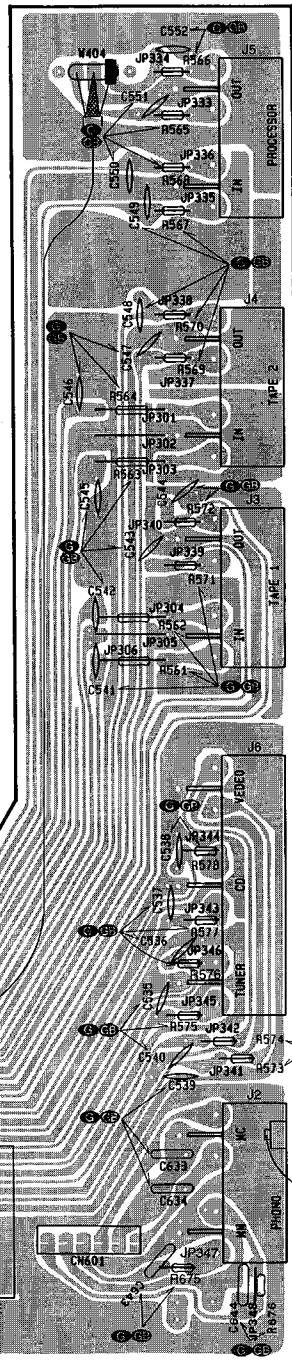


EXTERNAL PROCESSOR

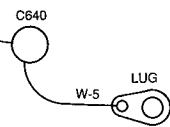
MONO

SUBSONIC

PHASE CORRECT LOUDNESS

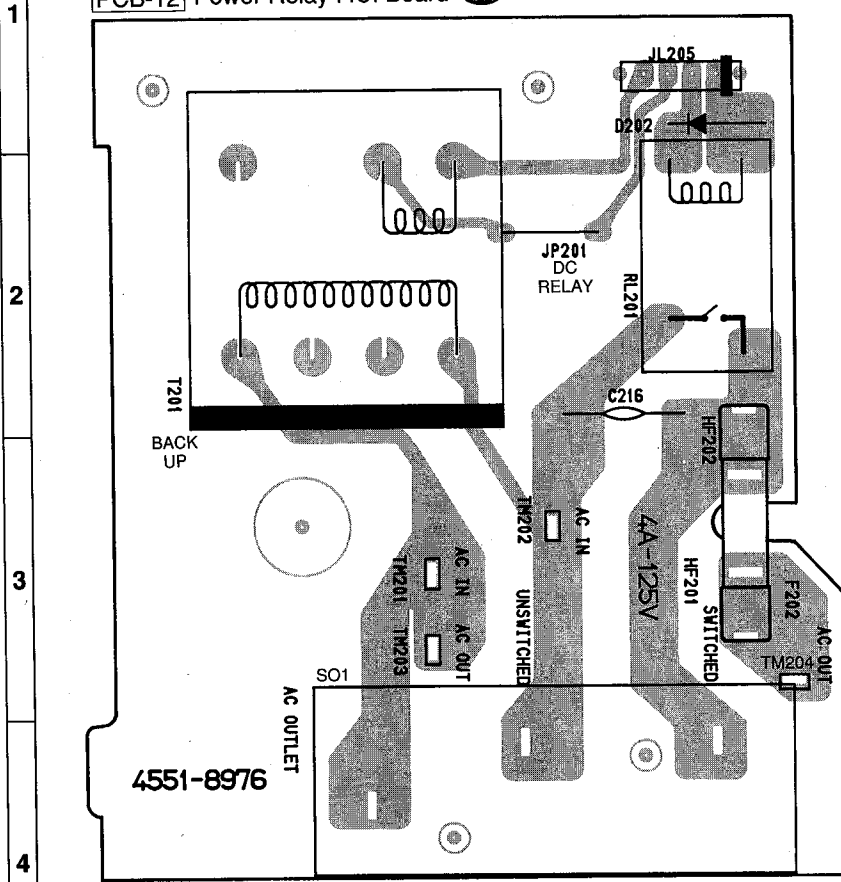


SHIELD PLATE

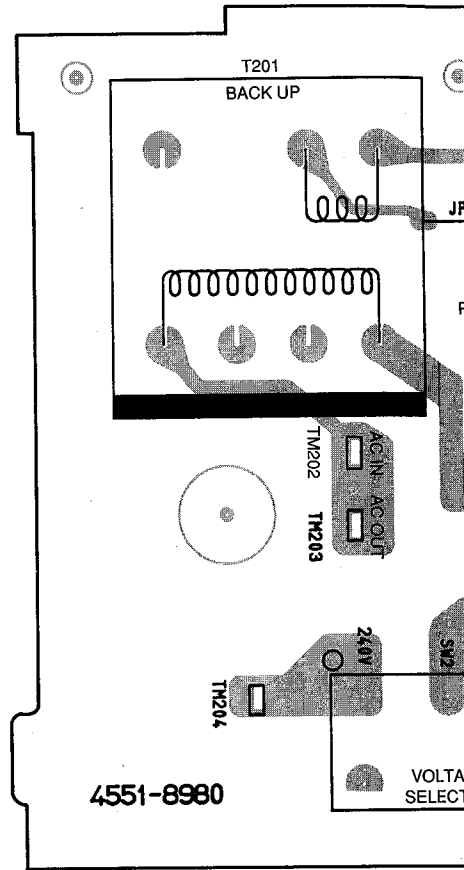


P. C. BOARDS (3)

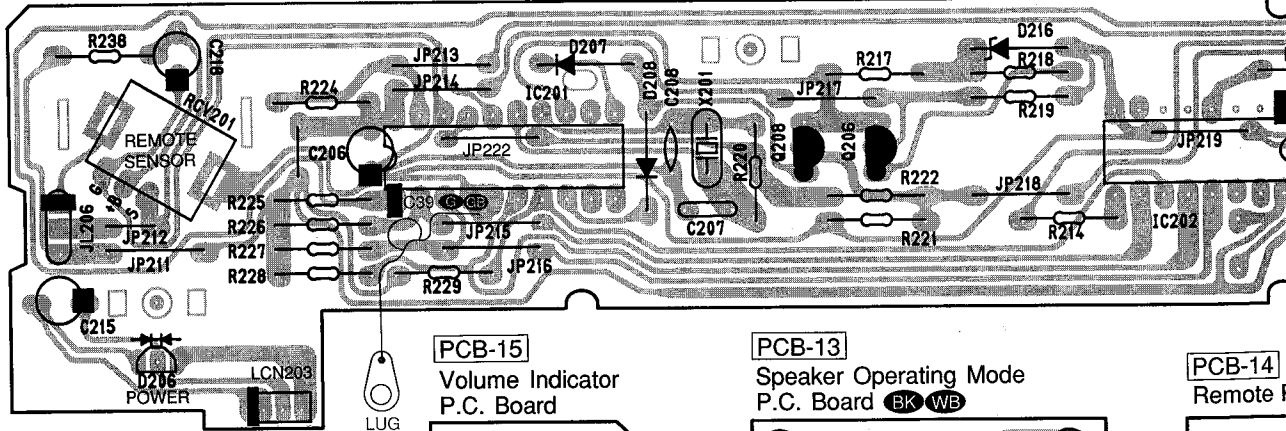
PCB-12 Power Relay P.C. Board **BK**



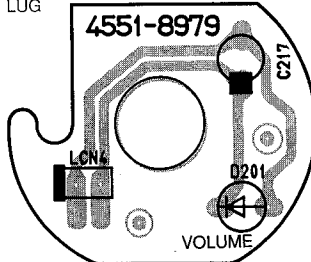
PCB-12 Power Relay P.C. Board **G GB**



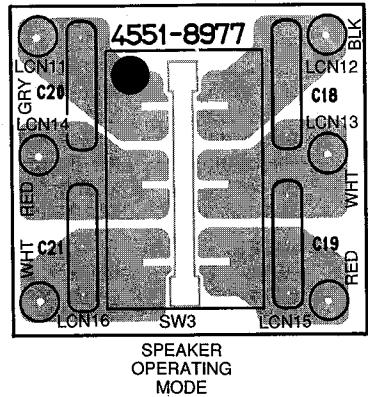
PCB-9 Remote Reciver P.C. Board



PCB-15 Volume Indicator P.C. Board



PCB-13 Speaker Operating Mode P.C. Board **BK WB**



PCB-14 Remote f



F

G

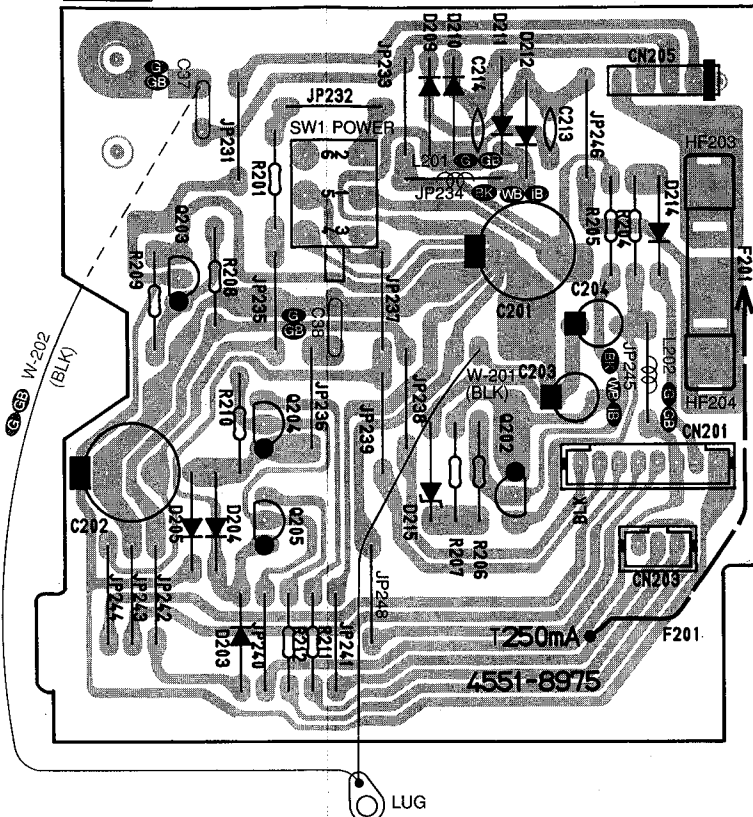
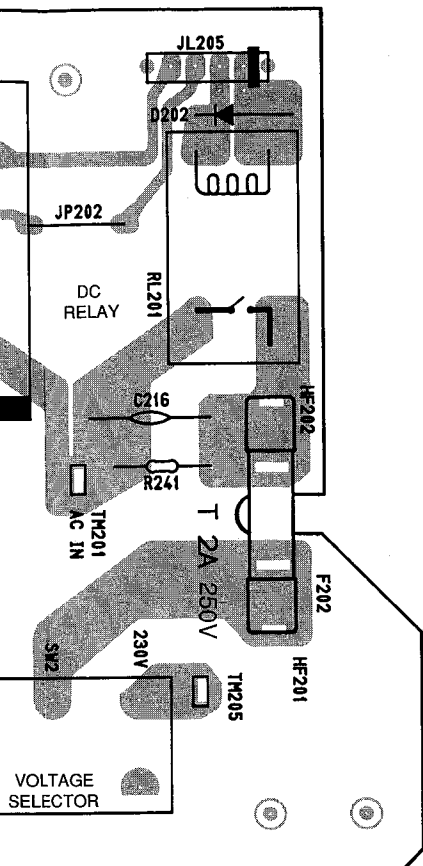
H

I

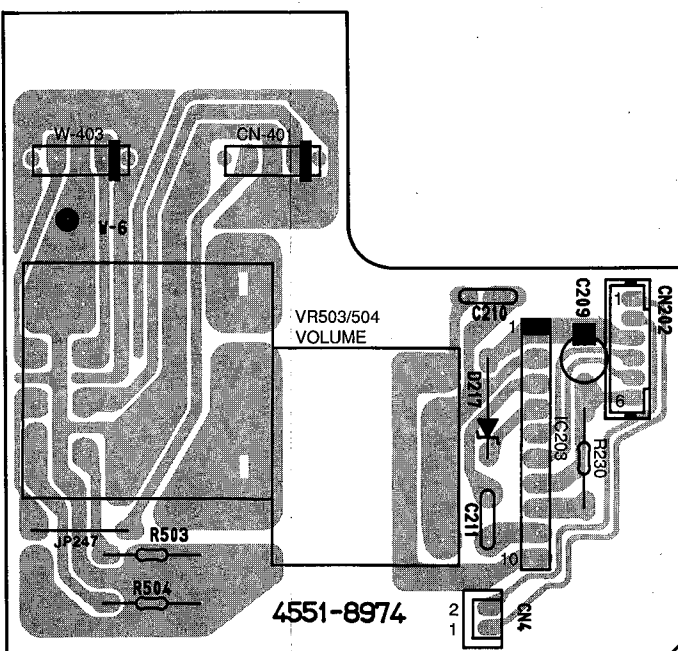
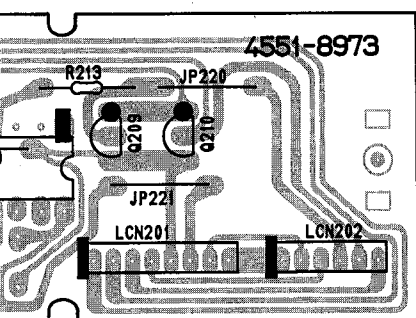
J

G GB WB IB

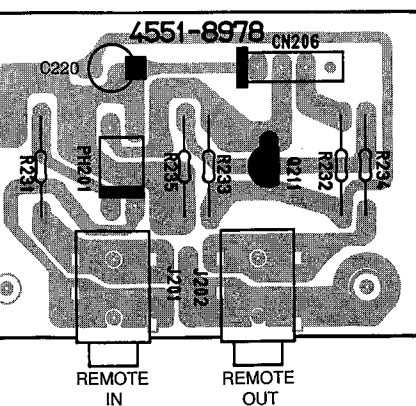
PCB-11 Power Switch P.C. Board



PCB-10 Volume P.C. Board



PCB-14 Remote P.C. Board



ELECTRICAL PARTS LIST

Ser. No.	Ref. No.	Part No.	Description	Ser. No.	Ref. No.	Part No.	Description	Ser. No.	Ref. No.	Part No.	Description	Ser. No.	Ref. No.	Part No.	Description
PCB-1 MAIN P.C. BOARD															
CAPACITORS															
662	C2	5345-106F041	CAP, MINI ELE 10μ/50V	678	R27	5135-335522	RES, CBN 1/2P 3.3M	605	R475	5135-331522	RES, CBN 1/2P 330	656	△ D6	5636-1S2471	DIODE, SWITCH
689	C3	5352-S060K104	CAP, MTL .1μ BK WB	670	R28	5135-472522	RES, CBN 1/2P 4.7K	605B	R475	5135-122522	RES, CBN 1/2P 1.2K	657	D11	5635-HZ6B-1L	DIODE, ZENER
689	C4	5352-S060K104	CAP, MTL .1μ BK WB	667	R31	5135-102522	RES, CBN 1/2P 1K	605	R476	5135-331522	RES, CBN 1/2P 330	658	D13	5631-1S2473	DIODE, DET
687	△ C5	5341-002GM109	CAP, ELE 10000μ/63V	667	R32	5135-102522	RES, CBN 1/2P 1K	605B	R476	5135-122522	RES, CBN 1/2P 1.2K	658	D14	5631-1S2473	DIODE, DET
687	△ C6	5341-002GM109	CAP, ELE 10000μ/63V	603	R401	5135-331522	RES, CBN 1/2P 330	635	△ R477	5102-5R65116	RES, FUSE 5.6	575	D407	5631-1S2473	DIODE, DET
660	C7	5345-106F041	CAP, MINI ELE 10μ/50V	603	R402	5135-331522	RES, CBN 1/2P 330	635	△ R478	5102-5R65116	RES, FUSE 5.6	575	D408	5631-1S2473	DIODE, DET
661	C8	5345-S19BM107	CAP, MINI ELE 100μ/10V	604	R403	5135-683522	RES, CBN 1/2P 68K	635	△ R479	5102-5R65116	RES, FUSE 5.6	576	D409	5635-HZ12B2L	DIODE, ZENER
659	C10	5345-S19CM106	CAP, MINI ELE 10μ/16V	604	R404	5135-683522	RES, CBN 1/2P 68K	635	△ R480	5102-5R65116	RES, FUSE 5.6	576	D410	5635-HZ12B2L	DIODE, ZENER
663	C15	5345-S19FM334	CAP, MINI ELE .33μ/50V	638	△ R405	5102-3315116	RES, FUSE 330	616	R483	5135-820522	RES, CBN 1/2P 82	644	L405		COILS
663	C16	5345-S19FM334	CAP, MINI ELE .33μ/50V	638	△ R406	5102-3315116	RES, FUSE 330	616	R484	5135-820522	RES, CBN 1/2P 82	644	L406	5991-7125	SPRING COIL
664	C17	5345-105J0962	CAP, MINI ELE 1μ/100V	638	△ R407	5102-3315116	RES, FUSE 330	627	R491	5175-100581	RES, MTL 3P 10			5991-7125	SPRING COIL
057B	C35	5352-1041957	CAP, MTL .1μ G GB	638	△ R408	5102-3315116	RES, FUSE 330	627	R492	5175-100581	RES, MTL 3P 10				CONTROLS
581	C401	5345-S19BM476	CAP, MINI ELE 47μ/10V	606	R409	5135-822522	RES, CBN 1/2P 8.2K	626	R495	5171-1R0581	RES, MTL 1P 1	641	VR401	5101-50171913	RES, SEMI FIX 500
581	C402	5345-S19BM476	CAP, MINI ELE 47μ/10V	608	R411	5135-390522	RES, CBN 1/2P 39	607	R499	5135-680522	RES, CBN 1/2P 68	641	VR402	5101-50171913	RES, SEMI FIX 500
589	C403	5345-S19CM476	CAP, MINI ELE 47μ/16V	608	R412	5135-390522	RES, CBN 1/2P 39	619	R500	5135-680522	RES, CBN 1/2P 68	720	VR501/502	5113-S1501503	RES, V CBN 16 50K, BALANCE
589	C404	5345-S19CM476	CAP, MINI ELE 47μ/16V	608	R413	5135-390522	RES, CBN 1/2P 39	619	R501	5135-331522	RES, CBN 1/2P 330	714	VR505/506	5113-10420122	RES, V CBN 16 100K, BASS
582	C405	5345-S19AM227	CAP, MINI ELE 220μ/6.3V	608	R414	5135-390522	RES, CBN 1/2P 39	620	R502	5135-331522	RES, CBN 1/2P 330	717	VR507/508	5113-50321122	RES, V CBN 16 50K, TREBLE
582	C406	5345-S19AM227	CAP, MINI ELE 220μ/6.3V	623	R415	5135-222522	RES, CBN 1/2P 2.2K	620	R507	5135-822522	RES, CBN 1/2P 8.2K				
592	C407	5353-020934	CAP, MCA 2P	623	R416	5135-222522	RES, CBN 1/2P 2.2K	620	R508	5135-822522	RES, CBN 1/2P 8.2K				
592	C408	5353-020934	CAP, MCA 2P	609	R417	5135-331522	RES, CBN 1/2P 330	621	R509	5135-152522	RES, CBN 1/2P 1.5K				
590	C409	5359-1015851	CAP, PPP 100P	609	R418	5135-331522	RES, CBN 1/2P 330	621	R510	5135-152522	RES, CBN 1/2P 1.5K				
590	C410	5359-1015851	CAP, PPP 100P	604	R419	5135-683522	RES, CBN 1/2P 68K	622	R513	5135-271522	RES, CBN 1/2P 270	699	CN502	4443-030185	CONNECTOR
583	C411	5345-S19CM106	CAP, MINI ELE 10μ/16V	604	R420	5135-683522	RES, CBN 1/2P 68K	622	R514	5135-271522	RES, CBN 1/2P 270	699	CN601	4443-030185	CONNECTOR
583	C412	5345-S19CM106	CAP, MINI ELE 10μ/16V	638	△ R421	5102-3315116	RES, FUSE 330	640	R515	5135-331522	RES, CBN 1/2P 330	764	JL107	4242-R0203600	JUMPER LEAD
595	C413	5354-683593	CAP, MYL .068μ	638	△ R422	5102-3315116	RES, FUSE 330	640	R516	5135-331522	RES, CBN 1/2P 330	762	JL110	4242-R0104181	JUMPER LEAD
595	C414	5354-683593	CAP, MYL .068μ	638	△ R423	5102-3315116	RES, FUSE 330	634	△ R559	5102-4R75116	RES, FUSE 4.7	766	JL505	4242-R0207141	JUMPER LEAD
595	C415	5354-683593	CAP, MYL .068μ	638	△ R424	5102-3315116	RES, FUSE 330	634	△ R560	5102-4R75116	RES, FUSE 4.7	755	JL801L	4132-R0202800	CORD, 2C
595	C416	5354-683593	CAP, MYL .068μ	610	R425	5135-473522	RES, CBN 1/2P 47K					755	JL801R	4132-R0202800	CORD, 2C
583	C417	5345-S19CM106	CAP, MINI ELE 10μ/16V	610	R426	5135-473522	RES, CBN 1/2P 47K					747	LCN2	4163-0140026	CONNECTOR W/W
583	C418	5345-S19CM106	CAP, MINI ELE 10μ/16V	610	R427	5135-473522	RES, CBN 1/2P 47K					748	LCN3	4163-0140027	CONNECTOR W/W
584	△ C421	5345-107G045	CAP, MINI ELE 100μ/63V	610	R428	5135-473522	RES, CBN 1/2P 47K					749	LCN4	4163-0140024	CONNECTOR W/W
584	△ C422	5345-107G045	CAP, MINI ELE 100μ/63V	611	R429	5135-224522	RES, CBN 1/2P 220K					750	LCN5	4163-0140025	CONNECTOR W/W
584	△ C423	5345-107G045	CAP, MINI ELE 100μ/63V	611	R430	5135-224522	RES, CBN 1/2P 220K					751	LCN7	4163-0112024	CONNECTOR W/W
584	△ C424	5345-107G045	CAP, MINI ELE 100μ/63V	618	R431	5135-121522	RES, CBN 1/2P 120					751	LCN8	4163-0112024	CONNECTOR W/W
593	C475	5359-3315851	CAP, PPP 330P	618	R432	5135-121522	RES, CBN 1/2P 120					695	TM101	4214-11023	TERMINAL
593	C476	5359-3315851	CAP, PPP 330P	612	R433	5135-272522	RES, CBN 1/2P 2.7K					694	△ TM110	4214-11033	TERMINAL
067B	C481	5359-S010K101	CAP, PPP 100P G GB	612	R434	5135-272522	RES, CBN 1/2P 2.7K					693	△ TM111	4214-11021	TERMINAL BK WB
067B	C482	5359-S010K101	CAP, PPP 100P G GB	613	R435	5135-223522	RES, CBN 1/2P 22K					694	△ TM112	4214-11033	TERMINAL
580	C503	5345-S19CM106	CAP, MINI ELE 10μ/16V	613	R436	5135-223522	RES, CBN 1/2P 22K								
580	C504	5345-S19CM106	CAP, MINI ELE 10μ/16V	613	R437	5135-223522	RES, CBN 1/2P 22K								
585	C505	5345-S19BM476	CAP, MINI ELE 47μ/10V	613	R438	5135-223522	RES, CBN 1/2P 22K								
585	C506	5345-S19BM476	CAP, MINI ELE 47μ/10V	624	R439	5135-153522	RES, CBN 1/2P 15K								
596	C507	5354-823J1HM	CAP, MYL .082μ	624	R440	5135-153522	RES, CBN 1/2P 15K								
596	C508	5354-823J1HM	CAP, MYL .082μ	614	R441	5135-123522	RES, CBN 1/2P 12K								
600	C509	5345-S19FM334	CAP, MINI ELE .33μ/50V	614	R442	5135-123522	RES, CBN 1/2P 12K								
600	C510	5345-S19FM334	CAP, MINI ELE .33μ/50V	633	R443	5174-222381	RES, MTL 1/4P 2.2K								
586	C511	5345-S19AM227	CAP, MINI ELE 220μ/6.3V	633	R444	5174-222381	RES, MTL 1/4P 2.2K								
586	C512	5345-S19AM227	CAP, MINI ELE 220μ/6.3V	633	R445	5174-222381	RES, MTL 1/4P 2.2K								
597	C513	5354-822J1HM	CAP, MYL 8200P	633	R446	5174-222381	RES, MTL 1/4P 2.2K								
597	C514	5354-822J1HM	CAP, MYL 8200P	636	△ R447	5102-4705116	RES, FUSE 47								
598	C515	5354-563J1HM	CAP, MYL .056μ	636	△ R448	5102-4705116	RES, FUSE 47								
598	C516	5354-563J1HM	CAP, MYL .056μ	636	△ R449	5102-4705116	RES, FUSE 47								
591	C517	5359-6805851	CAP, PPP 68P	636	△ R450	5102-4705116	RES, FUSE 47								
591	C518	5359-6805851	CAP, PPP 68P	636	△ R451	5102-4705116	RES, FUSE 47								
				636	△ R452	5102-4705116	RES, FUSE 47								
				636	△ R453	5102-4705116	RES, FUSE 47								
				636	△ R454	5102-4705116	RES, FUSE 47								
				628	R455	5135-221522	RES, CBN 1/2P 220								
				628	R456	5135-221522	RES, CBN 1/2P 220								
				615	R457	5135-391522	RES, CBN 1/2P 390								
				615	R458	5135-391522	RES, CBN 1/2P 390								
				625	R459	5135-183522	RES, CBN 1/2P 18K								
				625	R460	5135-183522	RES, CBN 1/2P 18K								
				625	R461	5135-183522	RES, CBN 1/2P 18K								
				625	R462	5135-183522	RES, CBN 1/2P 18K								
				617	R463	5135-220522	RES, CBN 1/2P 22								
				617	R464	5135-220522	RES, CBN 1/2P 22								
				617	R465	5135-220522	RES, CBN 1/2P 22								
				617	R466	5135-220522	RES, CBN 1/2P 22								
				637	△ R467	5102-2205116	RES, FUSE 22								
				637	△ R468	5102-2205116	RES, FUSE 22</								

ELECTRICAL PARTS LIST

Ser. No.	Ref. No.	Part No.	Description
PCB-1 MAIN P.C. BOARD			
CAPACITORS			
662	C2	5345-106F041	CAP, MINI ELE 10μ/50V
689	C3	5352-S060K104	CAP, MTL .1μ BK WB
689	C4	5352-S060K104	CAP, MTL .1μ BK WB
687	△ C5	5341-002GM109	CAP, ELE 10000μ/63V
687	△ C6	5341-002GM109	CAP, ELE 10000μ/63V
660	C7	5345-106F041	CAP, MINI ELE 10μ/50V
661	C8	5345-S19BM107	CAP, MINI ELE 100μ/10V
659	C10	5345-S19CM106	CAP, MINI ELE 10μ/16V
663	C15	5345-S19FM334	CAP, MINI ELE .33μ/50V
663	C16	5345-S19FM334	CAP, MINI ELE .33μ/50V
664	C17	5345-105J0962	CAP, MINI ELE 1μ/100V
057B	C35	5352-1041957	CAP, MTL .1μ G GB
581	C401	5345-S19BM476	CAP, MINI ELE 47μ/10V
581	C402	5345-S19BM476	CAP, MINI ELE 47μ/10V
589	C403	5345-S19CM476	CAP, MINI ELE 47μ/16V
589	C404	5345-S19CM476	CAP, MINI ELE 47μ/16V
582	C405	5345-S19AM227	CAP, MINI ELE 220μ/6.3V
582	C406	5345-S19AM227	CAP, MINI ELE 220μ/6.3V
592	C407	5353-020934	CAP, MCA 2P
592	C408	5353-020934	CAP, MCA 2P
590	C409	5359-1015851	CAP, PPP 100P
590	C410	5359-1015851	CAP, PPP 100P
583	C411	5345-S19CM106	CAP, MINI ELE 10μ/16V
583	C412	5345-S19CM106	CAP, MINI ELE 10μ/16V
595	C413	5354-683593	CAP, MYL .068μ
595	C414	5354-683593	CAP, MYL .068μ
595	C415	5354-683593	CAP, MYL .068μ
595	C416	5354-683593	CAP, MYL .068μ
583	C417	5345-S19CM106	CAP, MINI ELE 10μ/16V
583	C418	5345-S19CM106	CAP, MINI ELE 10μ/16V
584	△ C421	5345-107G045	CAP, MINI ELE 100μ/63V
584	△ C422	5345-107G045	CAP, MINI ELE 100μ/63V
584	△ C423	5345-107G045	CAP, MINI ELE 100μ/63V
584	△ C424	5345-107G045	CAP, MINI ELE 100μ/63V
593	C475	5359-3315851	CAP, PPP 330P
593	C476	5359-3315851	CAP, PPP 330P
067B	C481	5359-S010K101	CAP, PPP 100P G GB
067B	C482	5359-S010K101	CAP, PPP 100P G GB
580	C503	5345-S19CM106	CAP, MINI ELE 10μ/16V
580	C504	5345-S19CM106	CAP, MINI ELE 10μ/16V
585	C505	5345-S19BM476	CAP, MINI ELE 47μ/10V
585	C506	5345-S19BM476	CAP, MINI ELE 47μ/10V
596	C507	5354-823J1HM	CAP, MYL .082μ
596	C508	5354-823J1HM	CAP, MYL .082μ
600	C509	5345-S19FM334	CAP, MINI ELE .33μ/50V
600	C510	5345-S19FM334	CAP, MINI ELE .33μ/50V
586	C511	5345-S19AM227	CAP, MINI ELE 220μ/6.3V
586	C512	5345-S19AM227	CAP, MINI ELE 220μ/6.3V
597	C513	5354-822J1HM	CAP, MYL 8200P
597	C514	5354-822J1HM	CAP, MYL 8200P
598	C515	5354-563J1HM	CAP, MYL .056μ
598	C516	5354-563J1HM	CAP, MYL .056μ
591	C517	5359-6805851	CAP, PPP 68P
591	C518	5359-6805851	CAP, PPP 68P
RESISTORS			
668	R6	5135-103522	RES, CBN 1/2P 10K
670	R9	5135-472522	RES, CBN 1/2P 4.7K
670	R10	5135-472522	RES, CBN 1/2P 4.7K
668	R11	5135-103522	RES, CBN 1/2P 10K
669	R12	5135-104522	RES, CBN 1/2P 100K
675	R13	5135-683522	RES, CBN 1/2P 68K
676	R14	5135-333522	RES, CBN 1/2P 33K
672	R15	5135-223522	RES, CBN 1/2P 22K
674	R17	5135-562522	RES, CBN 1/2P 5.6K
674	R18	5135-562522	RES, CBN 1/2P 5.6K
673	R19	5135-821522	RES, CBN 1/2P 820
673	R20	5135-821522	RES, CBN 1/2P 820
679	R21	5135-101522	RES, CBN 1/2P 100
679	R22	5135-101522	RES, CBN 1/2P 100
670	R23	5135-472522	RES, CBN 1/2P 4.7K
670	R24	5135-472522	RES, CBN 1/2P 4.7K
669	R25	5135-104522	RES, CBN 1/2P 100K
675	R26	5135-683522	RES, CBN 1/2P 68K

Ser. No.	Ref. No.	Part No.	Description
678	R27	5135-335522	RES, CBN 1/2P 3.3M
670	R28	5135-472522	RES, CBN 1/2P 4.7K
667	R31	5135-102522	RES, CBN 1/2P 1K
667	R32	5135-102522	RES, CBN 1/2P 1K
603	R401	5135-331522	RES, CBN 1/2P 330
603	R402	5135-331522	RES, CBN 1/2P 330
604	R403	5135-683522	RES, CBN 1/2P 68K
604	R404	5135-683522	RES, CBN 1/2P 68K
638	△ R405	5102-3315116	RES, FUSE 330
638	△ R406	5102-3315116	RES, FUSE 330
638	△ R407	5102-3315116	RES, FUSE 330
638	△ R408	5102-3315116	RES, FUSE 330
606	R409	5135-822522	RES, CBN 1/2P 8.2K
606	R410	5135-822522	RES, CBN 1/2P 8.2K
608	R411	5135-390522	RES, CBN 1/2P 39
608	R412	5135-390522	RES, CBN 1/2P 39
608	R413	5135-390522	RES, CBN 1/2P 39
608	R414	5135-390522	RES, CBN 1/2P 39
623	R415	5135-222522	RES, CBN 1/2P 2.2K
623	R416	5135-222522	RES, CBN 1/2P 2.2K
609	R417	5135-331522	RES, CBN 1/2P 330
609	R418	5135-331522	RES, CBN 1/2P 330
604	R419	5135-683522	RES, CBN 1/2P 68K
604	R420	5135-683522	RES, CBN 1/2P 68K
638	△ R421	5102-3315116	RES, FUSE 330
638	△ R422	5102-3315116	RES, FUSE 330
638	△ R423	5102-3315116	RES, FUSE 330
638	△ R424	5102-3315116	RES, FUSE 330
610	R425	5135-473522	RES, CBN 1/2P 47K
610	R426	5135-473522	RES, CBN 1/2P 47K
610	R427	5135-473522	RES, CBN 1/2P 47K
610	R428	5135-473522	RES, CBN 1/2P 47K
611	R429	5135-224522	RES, CBN 1/2P 220K
611	R430	5135-224522	RES, CBN 1/2P 220K
618	R431	5135-121522	RES, CBN 1/2P 120
618	R432	5135-121522	RES, CBN 1/2P 120
612	R433	5135-272522	RES, CBN 1/2P 2.7K
612	R434	5135-272522	RES, CBN 1/2P 2.7K
613	R435	5135-223522	RES, CBN 1/2P 22K
613	R436	5135-223522	RES, CBN 1/2P 22K
613	R437	5135-223522	RES, CBN 1/2P 22K
613	R438	5135-223522	RES, CBN 1/2P 22K
624	R439	5135-153522	RES, CBN 1/2P 15K
624	R440	5135-153522	RES, CBN 1/2P 15K
614	R441	5135-123522	RES, CBN 1/2P 12K
614	R442	5135-123522	RES, CBN 1/2P 12K
633	R443	5174-222381	RES, MTL 1/4P 2.2K
633	R444	5174-222381	RES, MTL 1/4P 2.2K
633	R445	5174-222381	RES, MTL 1/4P 2.2K
633	R446	5174-222381	RES, MTL 1/4P 2.2K
636	△ R447	5102-4705116	RES, FUSE 47
636	△ R448	5102-4705116	RES, FUSE 47
636	△ R449	5102-4705116	RES, FUSE 47
636	△ R450	5102-4705116	RES, FUSE 47
636	△ R451	5102-4705116	RES, FUSE 47
636	△ R452	5102-4705116	RES, FUSE 47
636	△ R453	5102-4705116	RES, FUSE 47
636	△ R454	5102-4705116	RES, FUSE 47
628	R455	5135-221522	RES, CBN 1/2P 220
628	R456	5135-221522	RES, CBN 1/2P 220
615	R457	5135-391522	RES, CBN 1/2P 390
615	R458	5135-391522	RES, CBN 1/2P 390
625	R459	5135-183522	RES, CBN 1/2P 18K
625	R460	5135-183522	RES, CBN 1/2P 18K
625	R461	5135-183522	RES, CBN 1/2P 18K
625	R462	5135-183522	RES, CBN 1/2P 18K
617	R463	5135-220522	RES, CBN 1/2P 22
617	R464	5135-220522	RES, CBN 1/2P 22
617	R465	5135-220522	RES, CBN 1/2P 22
617	R466	5135-220522	RES, CBN 1/2P 22
637	△ R467	5102-2205116	RES, FUSE 22
637	△ R468	5102-2205116	RES, FUSE 22
637	△ R469	5102-2205116	RES, FUSE 22
637	△ R470	5102-2205116	RES, FUSE 22
639	R471/489	5273-R27672	RES, CEM 3P .27
639	R472/490	5273-R27672	RES, CEM 3P .27

Ser. No.	Ref. No.	Part No.	Description
605	R475	5135-331522	RES, CBN 1/2P 330 BK WB IB
605B	R475	5135-122522	RES, CBN 1/2P 1.2K G GB
605	R476	5135-331522	RES, CBN 1/2P 330 BK WB IB
605B	R476	5135-122522	RES, CBN 1/2P 1.2K G GB
635	△ R477	5102-5R65116	RES, FUSE 5.6
635	△ R478	5102-5R65116	RES, FUSE 5.6
635	△ R479	5102-5R65116	RES, FUSE 5.6
635	△ R480	5102-5R65116	RES, FUSE 5.6
616	R483	5135-820522	RES, CBN 1/2P 82
616	R484	5135-820522	RES, CBN 1/2P 82
627	R491	5175-100581	RES, MTL 3P 10
627	R492	5175-100581	RES, MTL 3P 10
626	R495	5171-1R0581	RES, MTL 1P 1
626	R496	5171-1R0581	RES, MTL 1P 1
607	R499	5135-680522	RES, CBN 1/2P 68
607	R500	5135-680522	RES, CBN 1/2P 68
619	R501	5135-331522	RES, CBN 1/2P 330
619	R502	5135-331522	RES, CBN 1/2P 330
620	R507	5135-822522	RES, CBN 1/2P 8.2K
620	R508	5135-822522	RES, CBN 1/2P 8.2K
621	R509	5135-152522	RES, CBN 1/2P 1.5K
621	R510	5135-152522	RES, CBN 1/2P 1.5K
622	R513	5135-271522	RES, CBN 1/2P 270
622	R514	5135-271522	RES, CBN 1/2P 270
640	R515	5135-331522	RES, CBN 1/2P 330
640	R516	5135-331522	RES, CBN 1/2P 330
634	△ R559	5102-4R75116	RES, FUSE 4.7
634	△ R560	5102-4R75116	RES, FUSE 4.7

TRANSISTORS

652	Q1	5611-933S(S)	XISTOR, PNP R
651	Q2	5613-1740S(S)	XISTOR, NPN R
655	Q3	5611-970(BL)	XISTOR, PNP R
653	Q4	5611-970(BL)	XISTOR, PNP R
653	Q5	5611-970(BL)	XISTOR, PNP R
654	Q7	5613-2240(BL)	XISTOR, NPN R
561	Q401	5613-2240(BL)	XISTOR, NPN R
561	Q402	5613-2240(BL)	XISTOR, NPN R
561	Q403	5613-2240(BL)	XISTOR, NPN R
561	Q404	5613-2240(BL)	XISTOR, NPN R
562	Q405	5613-2320L(F)	XISTOR, NPN R
562	Q406	5613-2320L(F)	XISTOR, NPN R
562	Q407	5613-2320L(F)	XISTOR, NPN R
562	Q408	5613-2320L(F)	XISTOR, NPN R
563	Q409	5611-970(BL)	XISTOR, PNP R
563	Q410	5611-970(BL)	XISTOR, PNP R
574	Q411	5613-2320L(F)	XISTOR, NPN R
574	Q412	5613-2320L(F)	XISTOR, NPN R
573	Q413	5613-2240(BL)	XISTOR, NPN R
573	Q414	5613-2240(BL)	XISTOR, NPN R
578	Q415	5611-999L(F)	XISTOR, PNP R
578	Q416	5611-999L(F)	XISTOR, PNP R
564	Q417	5612-646A(C)	XISTOR, PNP A
564	Q418	5612-646A(C)	XISTOR, PNP A
565	Q419	5614-666A(C)	XISTOR, NPN A
565	Q420	5614-666A(C)	XISTOR, NPN A
564	Q421	5612-646A(C)	XISTOR, PNP A
564	Q422	5612-646A(C)	XISTOR, PNP A
565	Q423	5614-666A(C)	XISTOR, NPN A
565	Q424	5614-666A(C)	XISTOR, NPN A
566	Q425	5613-945(P)	XISTOR, NPN R
566	Q426	5613-945(P)	XISTOR, NPN R
567	Q427	5613-3298(Y)	XISTOR, NPN R
567	Q428	5613-3298(Y)	XISTOR, NPN R
587	Q429	5611-1306(Y)	XISTOR, PNP R
587	Q430	5611-1306(Y)	XISTOR, PNP R
569	△ Q431	5613-3907(O)	XISTOR, NPN R
569	△ Q432	5613-3907(O)	XISTOR, NPN R
571	△ Q433	5611-1516(O)	XISTOR, PNP R
571	△ Q434	5611-1516(O)	XISTOR, PNP R

DIODES

681	△ D1	5632-ERC102FL	DIODE, RECT
681	△ D2	5632-ERC102FL	DIODE, RECT
681	△ D3	5632-ERC102FL	DIODE, RECT
681	△ D4	5632-ERC102FL	DIODE, RECT
656	△ D5	5636-1S2471	DIODE, SWITCH

Ser. No.	Ref. No.	Part No.	Description
656	△ D6	5636-1S2471	DIODE, SWITCH
657	D11	5635-HZ6B-1L	DIODE, ZENER
658	D13	5631-1S2473	DIODE, DET
658	D14	5631-1S2473	DIODE, DET
575	D407	5631-1S2473	DIODE, DET
575	D408	5631-1S2473	DIODE, DET
576	D409	5635-HZ12B2L	DIODE, ZENER
576	D410	5635-HZ12B2L	DIODE, ZENER

COILS

644	L405	5991-7125	SPRING COIL
644	L406	5991-7125	SPRING COIL

CONTROLS

641	VR401	5101-50171913	RES, SEMI FIX 500
641	VR402	5101-50171913	RES, SEMI FIX 500
720	VR501/502	5113-S1501503	RES, V CBN 16 50K, BALANCE
714	VR505/506	5113-10420122	RES, V CBN 16 100K, BASS
717	VR507/508	5113-50321122	RES, V CBN 16 50K, TREBLE

MISCELLANEOUS

699	CN502	4443-030185	CONNECTOR
699	CN601	4443-030185	CONNECTOR
764	JL107	4242-R0203600	JUMPER LEAD
762	JL110	4242-R0104181	JUMPER LEAD
766	JL505	4242-R0207141	JUMPER LEAD
755	JL801L	4132-R0202800	CORD, 2C
755	JL801R	4132-R0202800	CORD, 2C
747	LCN2	4163-0140026	CONNECTOR W/W
748	LCN3	4163-0140027	CONNECTOR W/W
749	LCN4	4163-0140024	CONNECTOR W/W
750	LCN5	4163-0140025	CONNECTOR W/W
751	LCN7	4163-0112024	CONNECTOR W/W
751	LCN8	4163-0112024	CONNECTOR W/W
695	TM101	4214-11023	TERMINAL
694	△ TM110	4214-11033	TERMINAL
693	△ TM111	4214-11021	TERMINAL BK WB
694	△ TM112	4214-11033	TERMINAL

PCB-2 SPEAKERS TERMINAL P.C. BOARD

CAPACITORS

683	C31	5359-S010K151	CAP, PPP 150P BK G GB IB
683	C32	5359-S010K151	CAP, PPP 150P BK G GB IB
684	C33	5359-S010K151	CAP, PPP 150P BK G GB IB
684	C34	5359-S010K151	CAP, PPP 150P BK G GB IB
685	C40	5354-104593	CAP, MYL .1μ BK IB
685	C41	5354-104593	CAP, MYL .1μ BK IB

MISCELLANEOUS

686	LUG	4211-4	LUG, W-16 BK IB
743	TM10	4214-156	TERMINAL, SPEAKERS

PCB-3 HEADPHONES P.C. BOARD

MISCELLANEOUS

736	J1	4451-51501	JACK, 1P, HEADPHONES
761	JL120	4242-043805	JUMPER LEAD

PCB-4 SPEAKERS SWITCH P.C. BOARD

RESISTORS

632	R497	5135-681522	RES, CBN 1/2P 680
632	R498	5135-681522	RES, CBN 1/2P 680

MISCELLANEOUS

765	JL108	4242-R0103101	JUMPER LEAD
729	SW5	4411-00306403	SWITCH, ROTARY, SPEAKERS

PCB-5 FUNCTION P.C. BOARD

CAPACITORS

077B	C535	5359-S010K101	CAP, PPP 100P G GB
------	------	---------------	---------------------------

Ser. No.	Ref. No.	Part No.	Description	Ser. No.	Ref. No.	Part No.	Description
077B	C536	5359-S010K101	CAP, PPP 100P G GB	812	C564	5345-S19FM474	CAP, MINI ELE .47μ/50V
065B	C537	5361-101KSL	CAP, CER 100P G GB	809	C581	5345-227D041	CAP, MINI ELE 220μ/25V
064B	C538	5361-101KSL	CAP, CER 100P G GB	809	C582	5345-227D041	CAP, MINI ELE 220μ/25V
064B	C539	5361-101KSL	CAP, CER 100P G GB	809	C583	5345-227D041	CAP, MINI ELE 220μ/25V
064B	C540	5361-101KSL	CAP, CER 100P G GB	809	C584	5345-227D041	CAP, MINI ELE 220μ/25V
064B	C541	5361-101KSL	CAP, CER 100P G GB	813	C585	5345-476G0962	CAP, MINI ELE 47μ/63V
064B	C542	5361-101KSL	CAP, CER 100P G GB	813	C586	5345-476G0962	CAP, MINI ELE 47μ/63V
064B	C543	5361-101KSL	CAP, CER 100P G GB				
064B	C544	5361-101KSL	CAP, CER 100P G GB				
064B	C545	5361-101KSL	CAP, CER 100P G GB				
065B	C546	5361-101KSL	CAP, CER 100P G GB				
064B	C547	5361-101KSL	CAP, CER 100P G GB				
065B	C548	5361-101KSL	CAP, CER 100P G GB				
065B	C549	5361-101KSL	CAP, CER 100P G GB				
065B	C550	5361-101KSL	CAP, CER 100P G GB				
064B	C551	5361-101KSL	CAP, CER 100P G GB				
065B	C552	5361-101KSL	CAP, CER 100P G GB				
059B	C633	5359-1215851	CAP, PPP 120P G GB				
059B	C634	5359-1215851	CAP, PPP 120P G GB				
058B	C640	5361-103ZF	CAP, CER .01μ G GB				
064B	C643	5361-101KSL	CAP, CER 100P G GB				
064B	C644	5361-101KSL	CAP, CER 100P G GB				
		RESISTORS				RESISTORS	
066B	R561	5135-102522	RES, CBN 1/2P 1K G GB	814	R521	5135-471522	RES, CBN 1/2P 470
066B	R562	5135-102522	RES, CBN 1/2P 1K G GB	814	R522	5135-471522	RES, CBN 1/2P 470
066B	R563	5135-102522	RES, CBN 1/2P 1K G GB	824	R523	5135-220522	RES, CBN 1/2P 22
066B	R564	5135-102522	RES, CBN 1/2P 1K G GB	824	R524	5135-220522	RES, CBN 1/2P 22
061B	R565	5232-102J16P	RES, CBN 1/6P 1K G GB	816	R527	5135-104522	RES, CBN 1/2P 100K
061B	R566	5232-102J16P	RES, CBN 1/6P 1K G GB	816	R528	5135-104522	RES, CBN 1/2P 100K
061B	R567	5232-102J16P	RES, CBN 1/6P 1K G GB	817	R529	5135-332522	RES, CBN 1/2P 3.3K
061B	R568	5232-102J16P	RES, CBN 1/6P 1K G GB	817	R530	5135-332522	RES, CBN 1/2P 3.3K
061B	R569	5232-102J16P	RES, CBN 1/6P 1K G GB	817	R531	5135-332522	RES, CBN 1/2P 3.3K
061B	R570	5232-102J16P	RES, CBN 1/6P 1K G GB	817	R532	5135-332522	RES, CBN 1/2P 3.3K
061B	R571	5232-102J16P	RES, CBN 1/6P 1K G GB	818	R533	5135-183522	RES, CBN 1/2P 18K
061B	R572	5232-102J16P	RES, CBN 1/6P 1K G GB	818	R534	5135-183522	RES, CBN 1/2P 18K
061B	R573	5232-102J16P	RES, CBN 1/6P 1K G GB	819	R535	5135-472522	RES, CBN 1/2P 4.7K
061B	R574	5232-102J16P	RES, CBN 1/6P 1K G GB	819	R536	5135-472522	RES, CBN 1/2P 4.7K
061B	R575	5232-102J16P	RES, CBN 1/6P 1K G GB	820	R537	5135-562522	RES, CBN 1/2P 5.6K
061B	R576	5232-102J16P	RES, CBN 1/6P 1K G GB	820	R538	5135-562522	RES, CBN 1/2P 5.6K
061B	R577	5232-102J16P	RES, CBN 1/6P 1K G GB	817	R539	5135-332522	RES, CBN 1/2P 3.3K
061B	R578	5232-102J16P	RES, CBN 1/6P 1K G GB	817	R540	5135-332522	RES, CBN 1/2P 3.3K
061B	R675	5232-102J16P	RES, CBN 1/6P 1K G GB	817	R541	5135-332522	RES, CBN 1/2P 3.3K
061B	R676	5232-102J16P	RES, CBN 1/6P 1K G GB	817	R542	5135-332522	RES, CBN 1/2P 3.3K
		MISCELLANEOUS		819	R543	5135-472522	RES, CBN 1/2P 4.7K
700	CN109	4443-030185	CONNECTOR	819	R544	5135-472522	RES, CBN 1/2P 4.7K
700	CN501	4443-030185	CONNECTOR	821	R545	5135-331522	RES, CBN 1/2P 330
753	LCN10	4163-0110039	CONNECTOR W/W	821	R546	5135-331522	RES, CBN 1/2P 330
063B	LUG	4211-4	LUG, W-4, 5 G GB	823	R547	5135-221522	RES, CBN 1/2P 220
737	J2	4484-46	PIN JACK, 4P, PHONO	823	R548	5135-221522	RES, CBN 1/2P 220
738	J3	4484-46	PIN JACK, 4P, TAPE 1 IN/OUT	821	R549	5135-331522	RES, CBN 1/2P 330
738	J4	4484-46	PIN JACK, 4P, TAPE 2 IN/OUT	821	R550	5135-331522	RES, CBN 1/2P 330
738	J5	4484-46	PIN JACK, 4P, EXTERNAL PROCESSOR IN/OUT	822	R551	5135-104522	RES, CBN 1/2P 100K
739	J6	4486-15	PIN JACK, 6P, CD/TUNER/VIDEO	822	R552	5135-104522	RES, CBN 1/2P 100K
723	SW3	4411-00214204	SWITCH, ROTARY, SOURCE	830	△ R554	5102-8215116	RES, FUSE 820
726	SW4	4411-00213404	SWITCH, ROTARY, TAPE MONITOR	830	△ R557	5102-8215116	RES, FUSE 820
						TRANSISTORS	
				801	Q501	5613-2240(BL)	XISTOR, NPN R
				801	Q502	5613-2240(BL)	XISTOR, NPN R
				802	Q503	5611-970(BL)	XISTOR, PNP R
				826	Q504	5611-970(BL)	XISTOR, PNP R
				801	Q505	5613-2240(BL)	XISTOR, NPN R
				801	Q506	5613-2240(BL)	XISTOR, NPN R
				804	Q507	5612-647(C)	XISTOR, PNP A
				803	Q508	5614-667(C)	XISTOR, NPN A
				829	Q509	5616-2SK373(Y)	FET, N-CH
				829	Q510	5616-2SK373(Y)	FET, N-CH
				828	Q511	5616-2SK246(Y)	FET, N-CH
				828	Q512	5616-2SK246(Y)	FET, N-CH
						DIODES	
				805	D501	5635-HZ12B2L	DIODE, ZENER
				805	D502	5635-HZ12B2L	DIODE, ZENER
						MISCELLANEOUS	
				702	CN503	4443-030185	CONNECTOR
				702	CN504	4443-030185	CONNECTOR
				703	CN505	4443-070185	CONNECTOR
				767	JL501	4242-R0203800	JUMPER LEAD
				767	JL502	4242-R0203800	JUMPER LEAD
				754	LCN501	4163-0119020	CONNECTOR W/W
				731	SW6A/B/C/D	4431-04127170	SWITCH, PUSH, PHASE CORRECT LOUDNESS, SUBSONIC, MONO, EXTERNAL PROCESSOR
						PCB-6 BASS CONT P.C. BOARD	
						CAPACITORS	
806	C521	5345-S19FM104	CAP, MINI ELE .1μ/50V				
806	C522	5345-S19FM104	CAP, MINI ELE .1μ/50V				
810	C523	5345-154F0951	CAP, MINI ELE .15μ/50V				
810	C524	5345-154F0951	CAP, MINI ELE .15μ/50V				
808	C525	5345-107D041	CAP, MINI ELE 100μ/25V				
808	C526	5345-107D041	CAP, MINI ELE 100μ/25V				
811	C527	5345-S19FM334	CAP, MINI ELE .33μ/50V				
811	C528	5345-S19FM334	CAP, MINI ELE .33μ/50V				
807	C529	5345-S19FM474	CAP, MINI ELE .47μ/50V				
807	C530	5345-S19FM474	CAP, MINI ELE .47μ/50V				
807	C531	5345-S19FM474	CAP, MINI ELE .47μ/50V				
807	C532	5345-S19FM474	CAP, MINI ELE .47μ/50V				
812	C563	5345-S19FM474	CAP, MINI ELE .47μ/50V				
						PCB-7 PHONO P.C. BOARD	
						CAPACITORS	
509	C601	5345-S19DM475	CAP, MINI ELE 4.7μ/25V				
509	C602	5345-S19DM475	CAP, MINI ELE 4.7μ/25V				

Ser. No.	Ref. No.	Part No.	Description	Ser. No.	Ref. No.	Part No.	Description
513	C603	5359-1215851	CAP, PPP 120P	551B	R645	5232-100J16P	RES, CBN 1/6P 10 G GB
513	C604	5359-1215851	CAP, PPP 120P	551	R646	5232-1R0J16P	RES, CBN 1/6P 1 BK WB IB
510	C605	5345-S19AM227	CAP, MINI ELE 220μ/6.3V	551B	R646	5232-100J16P	RES, CBN 1/6P 10 G GB
510	C606	5345-S19AM227	CAP, MINI ELE 220μ/6.3V	552	R647	5232-121J16P	RES, CBN 1/6P 120
514	C607	5359-5625851	CAP, PPP 5600P	552	R648	5232-121J16P	RES, CBN 1/6P 120
514	C608	5359-5625851	CAP, PPP 5600P	553	R649	5178-220381	RES, MTL 1/6P 22
515	C609	5359-2025851	CAP, PPP 2000P	553	R650	5178-220381	RES, MTL 1/6P 22
515	C610	5359-2025851	CAP, PPP 2000P	554	R651	5232-560J16P	RES, CBN 1/6P 56 BK WB IB
511	C611	5345-S19CM106	CAP, MINI ELE 10μ/16V	554B	R651	5232-470J16P	RES, CBN 1/6P 47 G GB
511	C612	5345-S19CM106	CAP, MINI ELE 10μ/16V	554	R652	5232-560J16P	RES, CBN 1/6P 56 BK WB IB
512	C613	5345-227D041	CAP, MINI ELE 220μ/25V	554B	R652	5232-470J16P	RES, CBN 1/6P 47 G GB
512	C614	5345-227D041	CAP, MINI ELE 220μ/25V	555	R653	5232-272J16P	RES, CBN 1/6P 2.7K
512	C615	5345-227D041	CAP, MINI ELE 220μ/25V	555	R654	5232-272J16P	RES, CBN 1/6P 2.7K
512	C616	5345-227D041	CAP, MINI ELE 220μ/25V	555	R655	5232-121J16P	RES, CBN 1/6P 120
546	C617	5345-S19CM106	CAP, MINI ELE 10μ/16V	552	R656	5232-121J16P	RES, CBN 1/6P 120
546	C618	5345-S19CM106	CAP, MINI ELE 10μ/16V	556	R657	5178-681381	RES, MTL 1/6P 680
547	C619	5345-S19BM107	CAP, MINI ELE 100μ/10V	556	R658	5178-681381	RES, MTL 1/6P 680
547	C620	5345-S19BM107	CAP, MINI ELE 100μ/10V	557	R659	5232-562J16P	RES, CBN 1/6P 5.6K
549	C621	5345-477C041	CAP, MINI ELE 470μ/16V	557	R660	5232-562J16P	RES, CBN 1/6P 5.6K
549	C622	5345-477C041	CAP, MINI ELE 470μ/16V	559	R661	5135-152522	RES, CBN 1/2P 1.5K
548	C623	5345-337C041	CAP, MINI ELE 330μ/16V	055B	R671	5232-102J16P	RES, CBN 1/6P 1K G GB
548	C624	5345-337C041	CAP, MINI ELE 330μ/16V	055B	R672	5232-102J16P	RES, CBN 1/6P 1K G GB
508	C625	5353-040934	CAP, MCA 4P	055B	R673	5232-102J16P	RES, CBN 1/6P 1K G GB
508	C626	5353-040934	CAP, MCA 4P	055B	R674	5232-102J16P	RES, CBN 1/6P 1K G GB
516	C627	5359-6825851	CAP, PPP 6800P	531	R681	5232-222J16P	RES, CBN 1/6P 2.2K
516	C628	5359-6825851	CAP, PPP 6800P	531	R682	5232-222J16P	RES, CBN 1/6P 2.2K
056B	C631	5353-820534	CAP, MCA 82P G GB	TRANSISTORS			
056B	C632	5353-820534	CAP, MCA 82P G GB	501	Q601	5613-2320L(F)	XISTOR, NPN R
060B	C635	5359-S010J103	CAP, PPP .01μ G GB	501	Q602	5613-2320L(F)	XISTOR, NPN R
060B	C636	5359-S010J103	CAP, PPP .01μ G GB	504	Q603	5611-999L(F)	XISTOR, PNP R
060B	C637	5359-S010J103	CAP, PPP .01μ G GB	504	Q604	5611-999L(F)	XISTOR, PNP R
060B	C638	5359-S010J103	CAP, PPP .01μ G GB	505	Q605	5611-999L(F)	XISTOR, PNP R
RESISTORS				505	Q606	5611-999L(F)	XISTOR, PNP R
517	R601	5232-823J16P	RES, CBN 1/6P 82K	501	Q607	5613-2320L(F)	XISTOR, NPN R
517	R602	5232-823J16P	RES, CBN 1/6P 82K	501	Q608	5613-2320L(F)	XISTOR, NPN R
518	R603	5232-124J16P	RES, CBN 1/6P 120K	501	Q609	5613-2320L(F)	XISTOR, NPN R
518	R604	5232-124J16P	RES, CBN 1/6P 120K	501	Q610	5613-2320L(F)	XISTOR, NPN R
519	R605	5232-221J16P	RES, CBN 1/6P 220	501	Q611	5613-2320L(F)	XISTOR, NPN R
519	R606	5232-221J16P	RES, CBN 1/6P 220	501	Q612	5613-2320L(F)	XISTOR, NPN R
520	R607	5178-122381	RES, MTL 1/6P 1.2K	503	Q613	5614-1266(Q)	XISTOR, NPN A
520	R608	5178-122381	RES, MTL 1/6P 1.2K	506	Q614	5612-941(Q)	XISTOR, PNP A
521	R609	5178-220381	RES, MTL 1/6P 22	542	Q615	5613-2855(E)	XISTOR, NPN R
521	R610	5178-220381	RES, MTL 1/6P 22	542	Q616	5613-2855(E)	XISTOR, NPN R
522	R611	5178-122381	RES, MTL 1/6P 1.2K	542	Q617	5613-2855(E)	XISTOR, NPN R
522	R612	5178-122381	RES, MTL 1/6P 1.2K	542	Q618	5613-2855(E)	XISTOR, NPN R
523	R613	5232-223J16P	RES, CBN 1/6P 22K	543	Q619	5613-2320L(F)	XISTOR, NPN R
523	R614	5232-223J16P	RES, CBN 1/6P 22K	DIODES			
532	R615	5232-820J16P	RES, CBN 1/6P 82	507	D601	5635-HZ18-2L	DIODE, ZENER
532	R616	5232-820J16P	RES, CBN 1/6P 82	507	D602	5635-HZ18-2L	DIODE, ZENER
524	R617	5232-121J16P	RES, CBN 1/6P 120	544	D603	5635-HZ12B2L	DIODE, ZENER
524	R618	5232-121J16P	RES, CBN 1/6P 120	COILS			
525	R621	5232-821J16P	RES, CBN 1/6P 820	062B	L601	5597-45502	CORE, BEADS G GB
525	R622	5232-821J16P	RES, CBN 1/6P 820	062B	L602	5597-45502	CORE, BEADS G GB
526	R623	5232-393J16P	RES, CBN 1/6P 39K	062B	L603	5597-45502	CORE, BEADS G GB
526	R624	5232-393J16P	RES, CBN 1/6P 39K	062B	L604	5597-45502	CORE, BEADS G GB
527	R625	5232-564J16P	RES, CBN 1/6P 560K	MISCELLANEOUS			
527	R626	5232-564J16P	RES, CBN 1/6P 560K	706	CN601	4443-067175	CONNECTOR
528	R627	5232-334J16P	RES, CBN 1/6P 330K	705	CN602	4443-047175	CONNECTOR
528	R628	5232-334J16P	RES, CBN 1/6P 330K	771	JL601	4242-R0203800	JUMPER LEAD
529	R629	5232-102J16P	RES, CBN 1/6P 1K	752	LCN601	4163-0135039	CONNECTOR W/W
529	R630	5232-102J16P	RES, CBN 1/6P 1K	071B		4132-R0102600	CORD, 2C G GB
530	R631	5232-104J16P	RES, CBN 1/6P 100K	072B	LUG	4211-4	LUG, W-20, 21 G GB
530	R632	5232-104J16P	RES, CBN 1/6P 100K	733	SW7	4431-S0315102	SWITCH, PUSH, CARTRIDGE
535	R633	5135-331522	RES, CBN 1/2P 330	PCB-8 BIAS LCH P.C. BOARD			
535	R634	5135-331522	RES, CBN 1/2P 330	RESISTORS			
531	R635	5232-222J16P	RES, CBN 1/6P 2.2K	630	R801L	5135-182522	RES, CBN 1/2P 1.8K
531	R636	5232-222J16P	RES, CBN 1/6P 2.2K	631	R802L	5135-122522	RES, CBN 1/2P 1.2K
538	△ R637	5102-6804715	RES, FUSE 68				
537	R638	5135-680522	RES, CBN 1/2P 68				
533	R639	5135-123522	RES, CBN 1/2P 12K				
534	R640	5135-153522	RES, CBN 1/2P 15K				
539	△ R642	5102-1814715	RES, FUSE 180				
550	R643	5135-822522	RES, CBN 1/2P 8.2K				
550	R644	5135-822522	RES, CBN 1/2P 8.2K				
551	R645	5232-1R0J16P	RES, CBN 1/6P 1 BK WB IB				

Ser. No.	Ref. No.	Part No.	Description
SEMICONDUCTOR			
579	Q801L	5613-2682(Q)	XISTOR, NPN R

Ser. No.	Ref. No.	Part No.	Description
647	CN401	4443-030185	CONNECTOR

PCB-9 REMOTE RECIVER P.C. BOARD

CAPACITORS			
075B	C39	5361-103ZF	CAP, CER .01μ G GB
858	C206	5345-476B041	CAP, MINI ELE 470μ/10V
861	C207	5361-101JCH	CAP, CER 100P
861	C208	5361-101JCH	CAP, CER 100P
860	C215	5345-S19CM106	CAP, MINI ELE 10μ/16V
869	C218	5345-107B041	CAP, MINI ELE 100μ/10V
RESISTORS			
877	R213	5135-103522	RES, CBN 1/2P 10K
877	R214	5135-103522	RES, CBN 1/2P 10K
874	R217	5135-102522	RES, CBN 1/2P 1K
874	R218	5135-102522	RES, CBN 1/2P 1K
877	R219	5135-103522	RES, CBN 1/2P 10K
879	R220	5135-105522	RES, CBN 1/2P 1M
878	R221	5135-473522	RES, CBN 1/2P 47K
878	R222	5135-473522	RES, CBN 1/2P 47K
935	R224	5135-472522	RES, CBN 1/2P 4.7K
935	R225	5135-472522	RES, CBN 1/2P 4.7K
878	R226	5135-473522	RES, CBN 1/2P 47K
878	R227	5135-473522	RES, CBN 1/2P 47K
878	R228	5135-473522	RES, CBN 1/2P 47K
878	R229	5135-473522	RES, CBN 1/2P 47K
894	R238	5135-101522	RES, CBN 1/2P 100
INTEGRATED CIRCUITS			
833	IC201	5654-M761281P	IC, DIGITAL
834	IC202	5654-TC4028BP	IC, DIGITAL
TRANSISTORS			
841	Q206	5611-933S(R)	XISTOR, PNP R
838	Q208	5611-A124ES	XISTOR, PNP R
840	Q209	5613-C144ES	XISTOR, NPN R
840	Q210	5613-C144ES	XISTOR, NPN R
DIODES			
846	D206	5637-GL3ED8	LED, POWER
842	D207	5636-1S2473	DIODE, SWITCH
842	D208	5636-1S2473	DIODE, SWITCH
847	D216	5635-RD2R7EB2	DIODE, ZENER
MISCELLANEOUS			
919	JL206	4242-R0203351	JUMPER LEAD
913	LCN201	4163-S0108251	CONNECTOR W/W
914	LCN202	4163-S0106351	CONNECTOR W/W
912	LCN203	4163-S0103141	CONNECTOR W/W
076B	LUG	4211-4	LUG G GB
850	RCV201	6143-00804	RECEIVER BLOCK, REMOTE SENSOR
848	X201	5693-CSB400P	OSC, CER

PCB-10 VOLUME P.C. BOARD

CAPACITORS			
070B	C36	5361-102ZF	CAP, CER 1000P G GB
855	C209	5345-106C041	CAP, MINI ELE 10μ/16V
862	C210	5354-104593	CAP, MYL .1μ
863	C211	5354-S010M103	CAP, MYL .01μ
RESISTORS			
891	△ R230	5102-2205116	RES, FUSE 22
629	R503	5135-472522	RES, CBN 1/2P 4.7K
629	R504	5135-472522	RES, CBN 1/2P 4.7K
INTEGRATED CIRCUIT			
835	IC203	5653-LB1641	IC, LINEAR
DIODE			
844	D217	5635-HZ3C2	DIODE, ZENER
CONTROLS			
881	VR503/504	6161-00702	VR BLOCK, VOLUME
MISCELLANEOUS			
910	CN4	4443-0201140	CONNECTOR
905	CN202	4443-0601140	CONNECTOR

PCB-11 POWER SWITCH P.C. BOARD

CAPACITORS			
074B	C37	5354-104593	CAP, MYL .1μ G GB
074B	C38	5354-104593	CAP, MYL .1μ G GB
857	C201	5345-477D041	CAP, MINI ELE 470μ/25V
859	C202	5345-337C041	CAP, MINI ELE 330μ/16V
856	C203	5345-107B041	CAP, MINI ELE 100μ/10V
856	C204	5345-107B041	CAP, MINI ELE 100μ/10V
865	C213	5354-274593	CAP, MYL .27μ
865	C214	5354-274593	CAP, MYL .27μ
RESISTORS			
896	△ R201	5102-2204715	RES, FUSE 22
880	R204	5135-151522	RES, CBN 1/2P 150
895	△ R205	5102-3304715	RES, FUSE 33
872	R206	5135-102522	RES, CBN 1/2P 1K
870	R207	5135-271522	RES, CBN 1/2P 270
873	R208	5135-822522	RES, CBN 1/2P 8.2K
876	R209	5135-472522	RES, CBN 1/2P 4.7K
876	R210	5135-472522	RES, CBN 1/2P 4.7K
871	R211	5135-271522	RES, CBN 1/2P 270
870	R212	5135-271522	RES, CBN 1/2P 270
TRANSISTORS			
837	Q202	5614-667(C)	XISTOR, NPN A
836	Q203	5613-3246(H)	XISTOR, NPN R
852	Q204	5613-1740S(S)	XISTOR, NPN R
852	Q205	5613-1740S(S)	XISTOR, NPN R
DIODES			
930	D203	5631-1S2473	DIODE, DECT
930	D204	5631-1S2473	DIODE, DECT
930	D205	5631-1S2473	DIODE, DECT
843	△ D209	5632-S5566B	DIODE, RECT
843	△ D210	5632-S5566B	DIODE, RECT
843	△ D211	5632-S5566B	DIODE, RECT
843	△ D212	5632-S5566B	DIODE, RECT
930	D214	5631-1S2473	DIODE, DECT
851	D215	5635-HZ6B2	DIODE, ZENER
COILS			
073B	L201	5995-101274	COIL W/CORE G GB
073B	L202	5995-101274	COIL W/CORE G GB
MISCELLANEOUS			
906	CN201	4443-0801140	CONNECTOR
907	CN203	4443-0301140	CONNECTOR
908	CN205	4443-040185	CONNECTOR
887	△ F201	5732-251031	FUSE 250 mA/125V BK
887B	△ F201	5732-251030	FUSE T250 mA/250V G GB WB IB
889	△ HF203	4472-04501	HOLDER, FUSE, F201
889	△ HF204	4472-04501	HOLDER, FUSE, F201
897	LUG	4211-4	LUG, W-201
884	△ SW1	4431-A020170	SWITCH, PUSH, POWER

PCB-12 POWER RELAY P.C. BOARD

CAPACITORS			
864	△ C216	5352-S010M103	CAP, MTL .01μ BK
864	△ C216	5352-1030958	CAP, MTL .01μ G GB WB IB
RESISTOR			
054B	△ R241	5135-335522	RES, CBN 1/2P 3.3M G GB WB IB
DIODE			
929	D202	5631-1S2473	DIODE, DET
TRANSFORMERS			
927	△ T201	5584-001479	XFORMER, POWER, BACK UP BK
927B	△ T201	5584-T1101	XFORMER, POWER, BACK UP G GB WB IB
MISCELLANEOUS			
888	△ F202	5732-402031	FUSE 4A/125V BK

Ser. No.	Ref. No.	Part No.	Description
888B	△ F202	5732-202030	FUSE T2A/250V G GB WB IB
890	△ HF201	4472-04501	HOLDER, FUSE, F202
890	△ HF202	4472-04501	HOLDER, FUSE, F202
918	JL205	4242-R0504181	JUMPER LEAD
883	△ RL201	4331-01702	RELAY, DC
886B	△ SW2	4411-00501102	SWITCH, ROTARY, VOLTAGE SELECTOR G GB WB IB
893	TM201	4214-122	TERMINAL
893	TM202	4214-122	TERMINAL
893	TM203	4214-122	TERMINAL
893	TM204	4214-122	TERMINAL
893B	TM205	4214-122	TERMINAL G GB WB IB

PCB-13 SPEAKER OPERATING MODE P.C. BOARD

CAPACITORS			
936	C18	5354-104593	CAP, MYL .1μ BK WB
936	C19	5354-104593	CAP, MYL .1μ BK WB
936	C20	5354-104593	CAP, MYL .1μ BK WB
936	C21	5354-104593	CAP, MYL .1μ BK WB
MISCELLANEOUS			
899	LCN11	4163-0130022	CONNECTOR W/W BK WB
900	LCN12	4163-0130020	CONNECTOR W/W BK WB
901	LCN13	4163-0130023	CONNECTOR W/W BK WB
902	LCN14	4163-0130021	CONNECTOR W/W BK WB
903	LCN15	4163-0130021	CONNECTOR W/W BK WB
904	LCN16	4163-0130023	CONNECTOR W/W BK WB
885	SW3	4464-00102022	SWITCH, SEESW, SPEAKER OPERATING MODE BK WB

PCB-14 REMOTE P.C. BOARD

CAPACITOR			
853	C220	5345-S19CM226	CAP, MINI ELE 22μ/16V
RESISTORS			
933	R231	5135-271522	RES, CBN 1/2P 270
867	R232	5135-101522	RES, CBN 1/2P 100
934	R233	5135-392522	RES, CBN 1/2P 3.9K
866	R234	5135-470522	RES, CBN 1/2P 47
875	R235	5135-473522	RES, CBN 1/2P 47K
TRANSISTOR			
839	Q211	5611-A143ES	XISTOR, PNP R
MISCELLANEOUS			
892	J201	4451-00184	JACK, 1P, REMOTE IN
892	J202	4451-00184	JACK, 1P, REMOTE OUT
909	CN206	4443-030185	CONNECTOR
849	PH201	5624-PC817	PHOTO COUPLR

PCB-15 VOLUME INDICATOR P.C. BOARD

CAPACITOR			
854	C217	5345-S19CM106	CAP, MINI ELE 10μ/16V
DIODE			
845	D201	5637-S2410E1	LED, VOLUME
MISCELLANEOUS			
911	LCN4	4163-01524002	CONNECTOR W/W

PCB-16 BIAS RCH P.C. BOARD

RESISTORS			
630	R801R	5135-182522	RES, CBN 1/2P 1.8K
631	R802R	5135-122522	RES, CBN 1/2P 1.2K
SEMICONDUCTOR			
579	Q801R	5613-2682(Q)	XISTOR, NPN R

CHASSIS MISCELLANEOUS

CAPACITORS			
689B	C3	5352-S060K104	CAP, MTL .1μ G GB IB
689B	C4	5352-S060K104	CAP, MTL .1μ G GB IB
MISCELLANEOUS			
650	LUG	4211-4	LUG, CHASSIS EARTH
745	△ P1	4161-71151	CORD W/PLUG BK

Ser. No.	Ref. No.	Part No.	Description
745B	△ P1	4161-7256	CORD W/PLUG G GB WB IB
886	△ SO1	4474-02901	SOCKET, AC OUTLET
691	△ T1	5584-T0701	XFORMER, POWER BK
691B	△ T1	5584-T0702	XFORMER, POWER G GB IB
691D	△ T1	5584-T0703	XFORMER, POWER WB
746		4442-14	PIN PLUG, PHONO MM SHORT PIN (x2)

PACKAGE PARTS LIST

021B	1756-06304	LABEL 230V/50Hz, G GB WB IB
022B	1756-03124	LABEL (G), (x2) G GB
022D	1756-03101	LABEL (W), (x2) WB
022E	1756-03108	LABEL (I), (x2) IB
026B	1111-J30235	OWNER GUIDE, POWER SWITCH CAUTION G GB IB
026D	1111-0370J152	OWNER GUIDE, VOLTAGE SELECTOR ADDEN DUM WB
107	1111-0270J152	OWNER GUIDE, OG BK WB
107B	1111-0280J152	OWNER GUIDE, OG G GB IB
108	1113-02501	OWNER CARD, REPLY CARD BK
109	1116-03801	GUARANT CARD, WARRANTY BK
110	1119-04501	ATTACH SHEET, SERVICE GUIDE BK
111	1119-01201	ATTACH SHEET, UL BK
121	1241-R0123351	POLYETHY BAG, OG
122	1241-R0160601	POLYETHY BAG, SET
124	1221-28126	CARTON BOX G
124A	1221-28127	CARTON BOX BK GB WB IB
125	1222-7390	CUSHION, R
126	1222-7391	CUSHION, L
127	1223-11729	SOFT SHEET
925	6142-06805	REMOTE CONTROL
926	4191-0355	BATTERY, DRY
938	4161-08201102	CORD W/PLUG, REMOTE IN/OUT (x3)

ABBREVIATIONS IN PARTS LIST

CAPACITORS	
CAP, MINI ELE	: Electrolytic
CAP, CER	: Ceramic
CAP, PPP	: Polypropylene
CAP, MYL	: Mylar
CAP, MCA	: Mica
470μ	: 470μF
6800P	: 6800pF
.047μ	: 0.047μF

RESISTORS	
RES, CBN 1/6P	: Carbon 1/6W
2.2K	: 2.2kΩ
220	: 220Ω

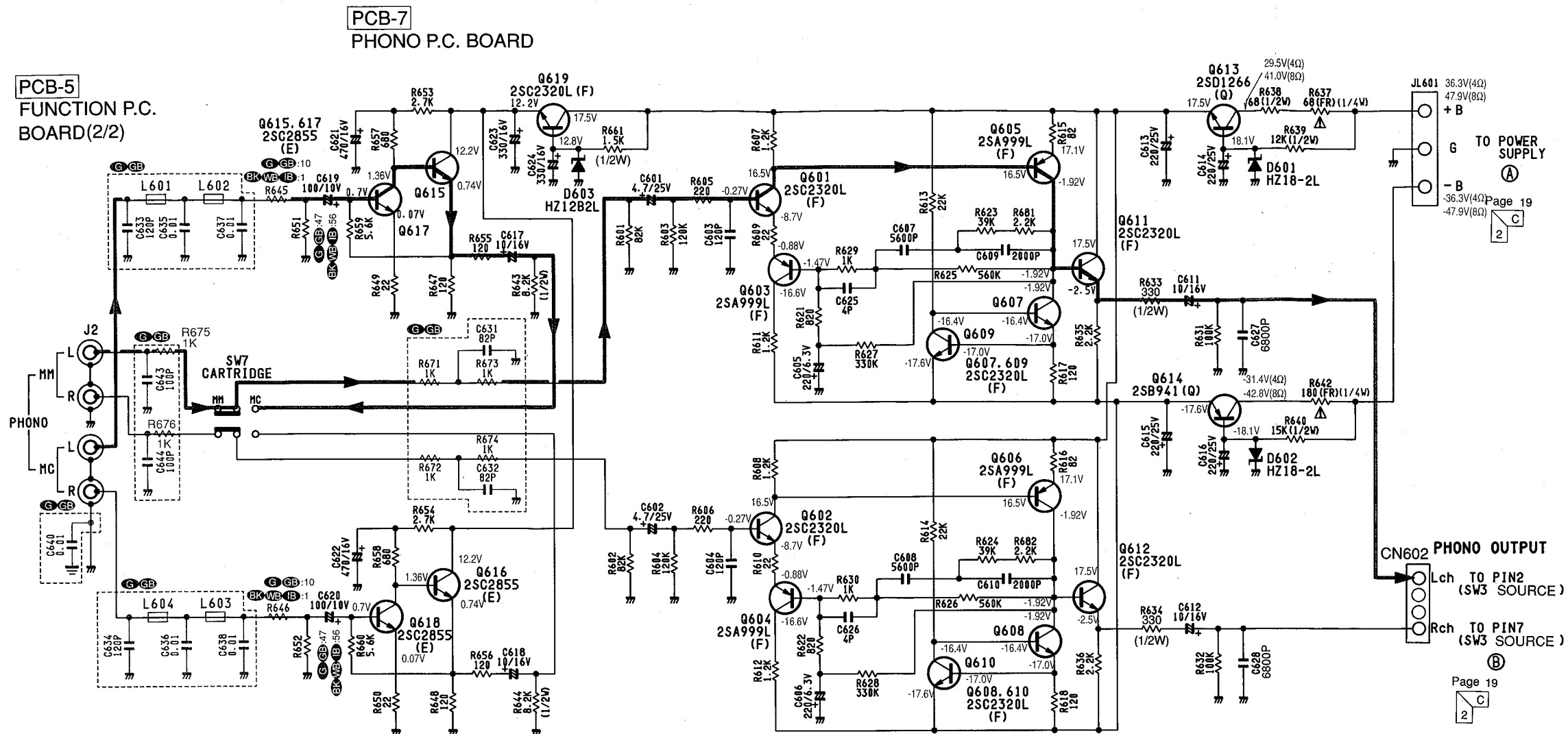
RES, FUSE	: Fuse
RES, CEM 5P	: Cement 5W
RES, MTL 1P	: Metal 1W

TRANSISTORS	
XISTOR	: Transistor
FET	: Field Effect Transistor

CONTROLS	
RES, V CBN	: Variable Carbon Resistor
RES, SEMI FIX	: Semi - fixed Resistors

NOTE:
 SAFETY RELATED COMPONENT. USE ONLY EXACT REPLACEMENT PART AS SPECIFIED.

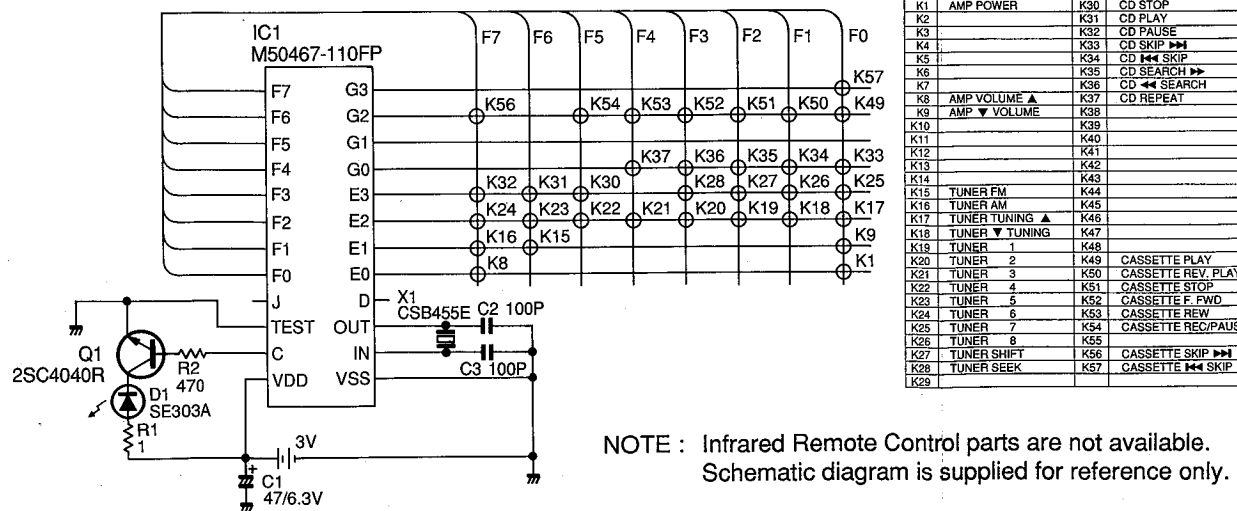
SCHEMATIC DIAGRAM (1)



NOTE:

1. ALL RESISTANCES VALUES ARE IN Ω .
K Ω =1000 Ω , M Ω =1000K Ω .
2. THE WATTAGE OF RESISTORS IS 1/6W UNLESS OTHERWISE NOTED.
3. ALL CAPACITANCES VALUES ARE IN μ F UNLESS OTHERWISE NOTED. P=# μ F.
4. ...V:DC VOLTAGE AT NO SIGNAL UNLESS OTHERWISE NOTED.
5. SAFETY REQUIREMENTS COMPONENTS IN ACCORDANCE WITH PRESENT SAFETY REGULATIONS, THESE COMPONENTS MUST ONLY BE REPLACED BY ORIGINAL PARTS.

INFRARED REMOTE CONTROL SCHEMATIC DIAGRAM



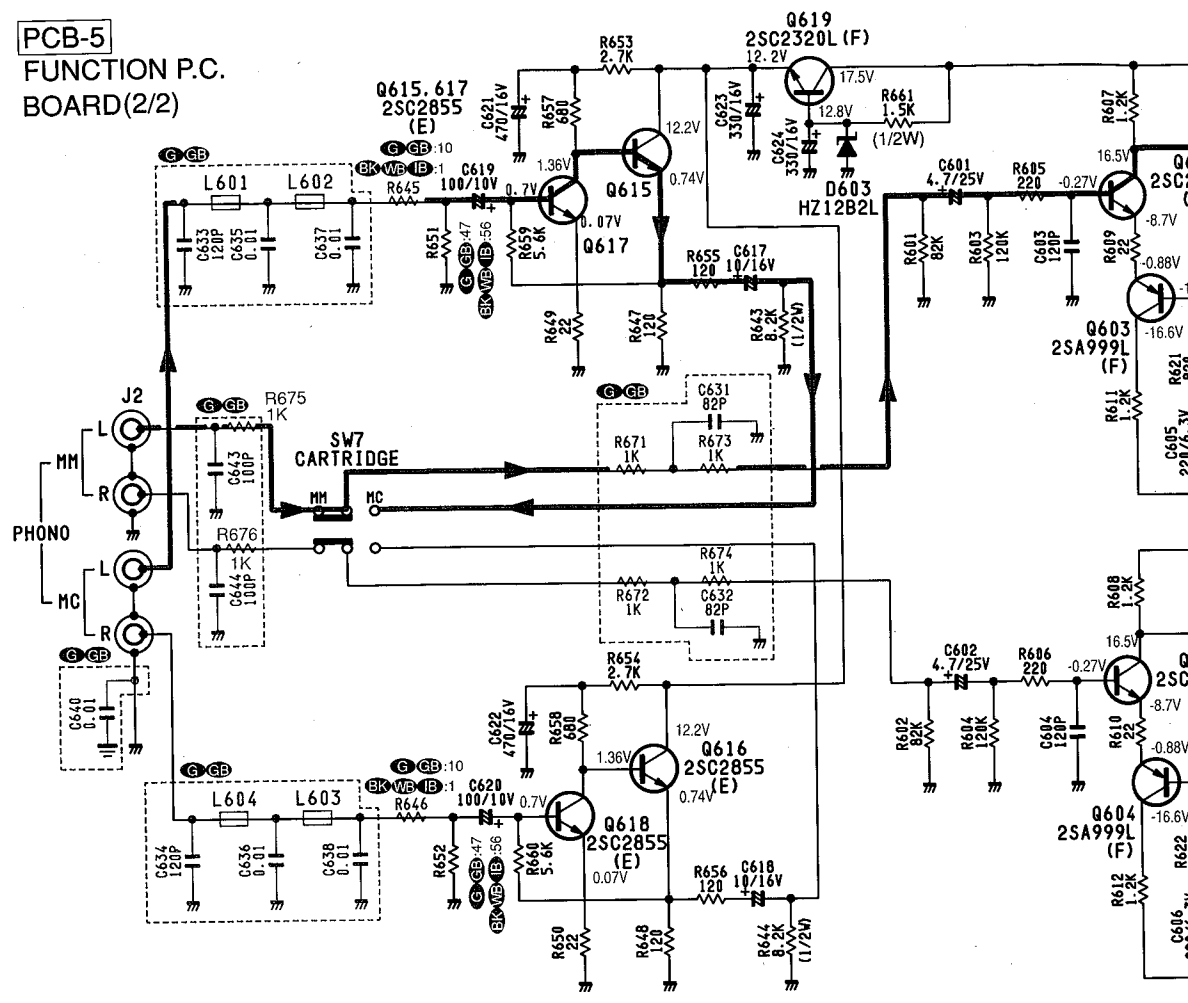
NO.	FUNCTION	NO.	FUNCTION
K1	AMP POWER	K30	CD STOP
K2		K31	CD PLAY
K3		K32	CD PAUSE
K4		K33	CD SKIP \blacktriangleright
K5		K34	CD \blacktriangleleft SKIP
K6		K35	CD SEARCH \blacktriangleright
K7		K36	CD \blacktriangleleft SEARCH
K8	AMP VOLUME \blacktriangle	K37	CD REPEAT
K9	AMP \blacktriangledown VOLUME	K38	
K10		K39	
K11		K40	
K12		K41	
K13		K42	
K14		K43	
K15	TUNER FM	K44	
K16	TUNER AM	K45	
K17	TUNER TUNING \blacktriangle	K46	
K18	TUNER \blacktriangledown TUNING	K47	
K19	TUNER 1	K48	
K20	TUNER 2	K49	CASSETTE PLAY
K21	TUNER 3	K50	CASSETTE REV. PLAY
K22	TUNER 4	K51	CASSETTE STOP
K23	TUNER 5	K52	CASSETTE F. FWD
K24	TUNER 6	K53	CASSETTE REW
K25	TUNER 7	K54	CASSETTE REC/PAUSE
K26	TUNER 8	K55	
K27	TUNER SHIFT	K56	CASSETTE SKIP \blacktriangleright
K28	TUNER SEEK	K57	CASSETTE \blacktriangleleft SKIP

NOTE : Infrared Remote Control parts are not available.
Schematic diagram is supplied for reference only.

SCHEMATIC DIAGRAM (1)

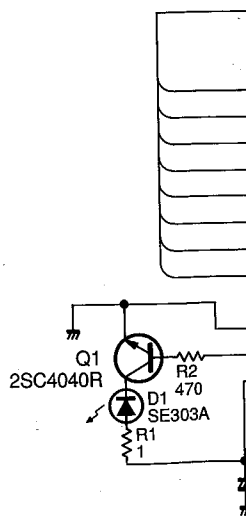
**PCB-7
PHONO P.C. BOARD**

**PCB-5
FUNCTION P.C.
BOARD(2/2)**

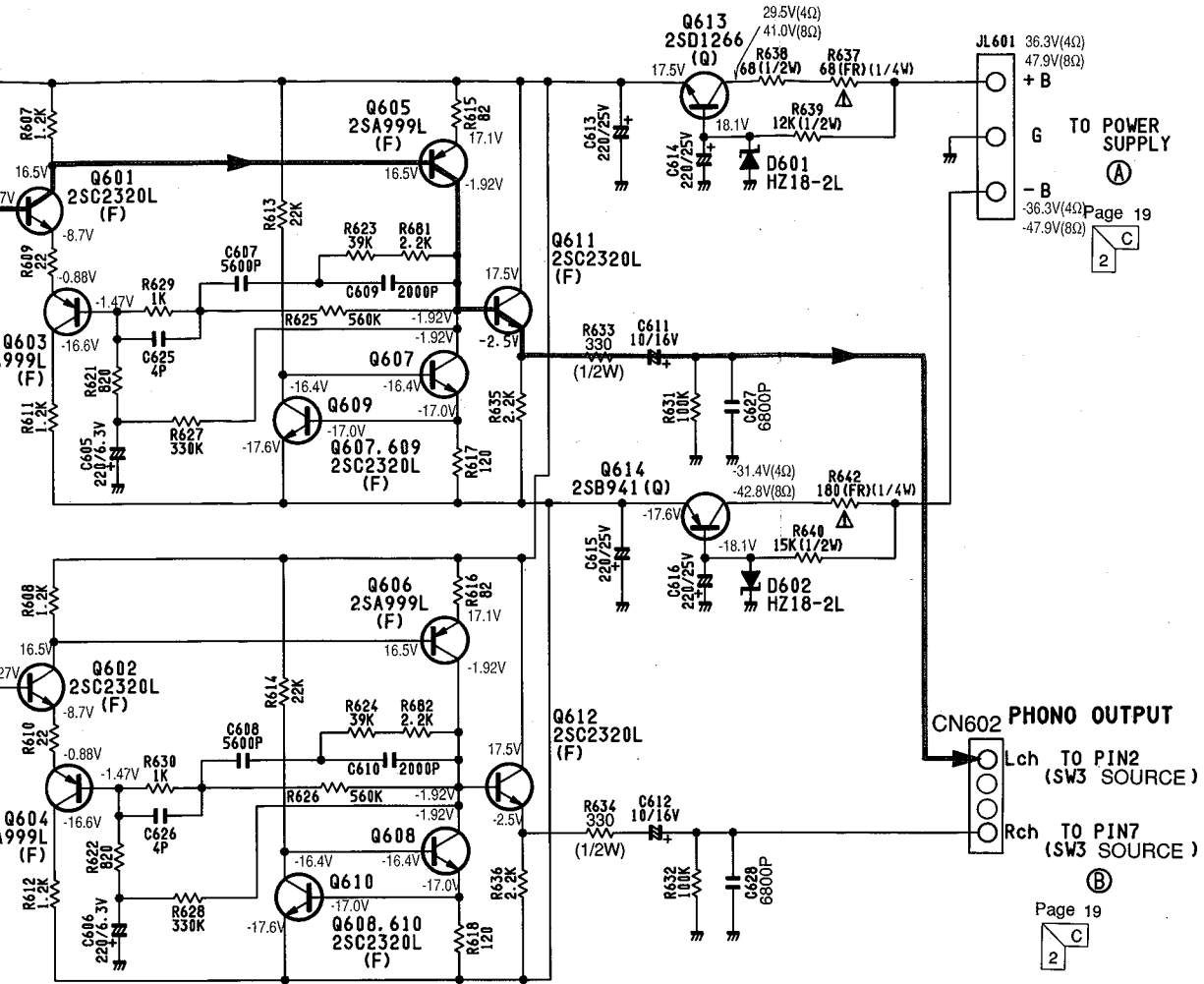


- NOTE:**
1. ALL RESISTANCES VALUES ARE IN Ω .
K Ω =1000 Ω . M Ω =1000K Ω .
 2. THE WATTAGE OF RESISTORS IS 1/6W UNLESS OTHERWISE NOTED.
 3. ALL CAPACITANCES VALUES ARE IN μ F UNLESS OTHERWISE NOTED. P=# μ F.
 4. ...V:DC VOLTAGE AT NO SIGNAL UNLESS OTHERWISE NOTED.
 5. SAFETY REQUIREMENTS COMPONENTS IN ACCORDANCE WITH PRESENT SAFETY REGULATIONS. THESE COMPONENTS MUST ONLY BE REPLACED BY ORIGINAL PARTS.

INFRARED REMO



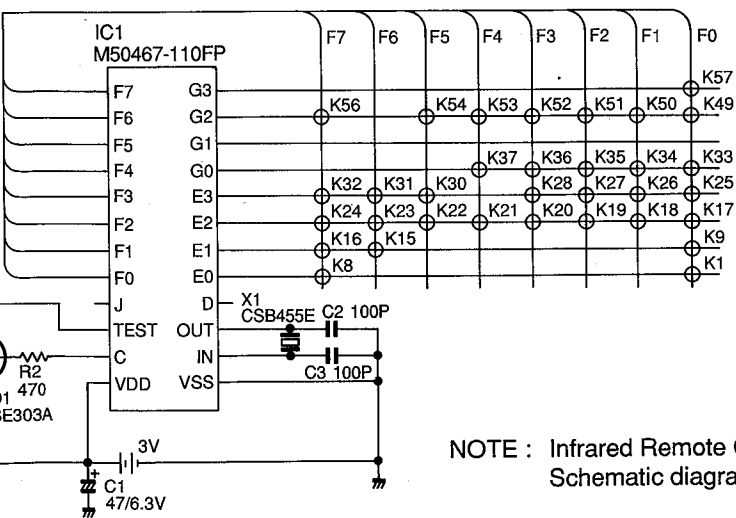
F G H I J



Page 19

Page 19

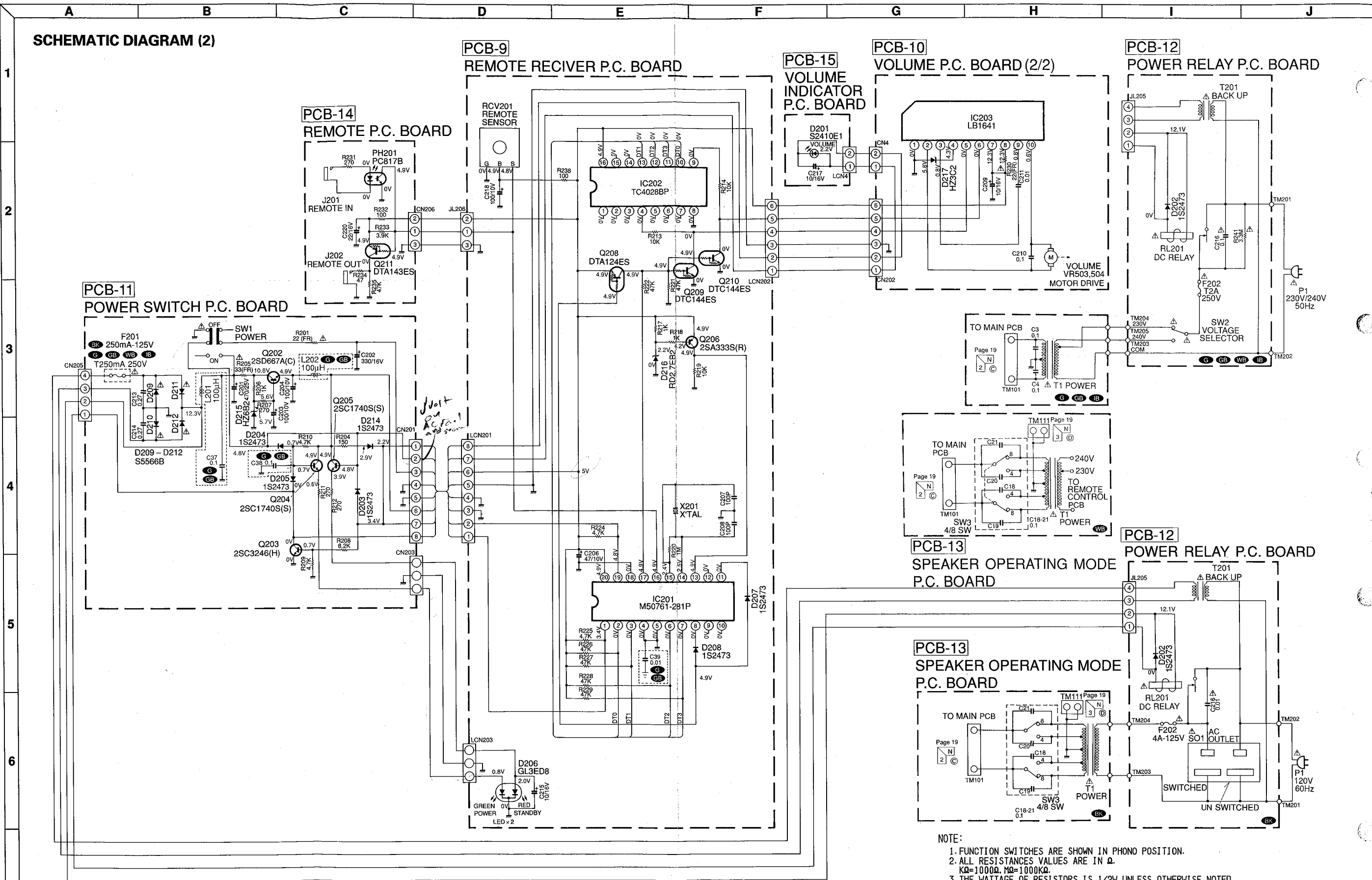
REMOTE CONTROL SCHEMATIC DIAGRAM



NO.	FUNCTION	NO.	FUNCTION
K1	AMP POWER	K30	CD STOP
K2		K31	CD PLAY
K3		K32	CD PAUSE
K4		K33	CD SKIP ►►
K5		K34	CD ◄◄ SKIP
K6		K35	CD SEARCH ►►
K7		K36	CD ◄◄ SEARCH
K8	AMP VOLUME ▲	K37	CD REPEAT
K9	AMP ▼ VOLUME	K38	
K10		K39	
K11		K40	
K12		K41	
K13		K42	
K14		K43	
K15	TUNER FM	K44	
K16	TUNER AM	K45	
K17	TUNER TUNING ▲	K46	
K18	TUNER ▼ TUNING	K47	
K19	TUNER 1	K48	
K20	TUNER 2	K49	CASSETTE PLAY
K21	TUNER 3	K50	CASSETTE REV. PLAY
K22	TUNER 4	K51	CASSETTE STOP
K23	TUNER 5	K52	CASSETTE F. FWD
K24	TUNER 6	K53	CASSETTE REW
K25	TUNER 7	K54	CASSETTE REC/PAUSE
K26	TUNER 8	K55	
K27	TUNER SHIFT	K56	CASSETTE SKIP ►►
K28	TUNER SEEK	K57	CASSETTE ◄◄ SKIP
K29			

NOTE : Infrared Remote Control parts are not available. Schematic diagram is supplied for reference only.

SCHEMATIC DIAGRAM (2)



- NOTE:
1. FUNCTION SWITCHES ARE SHOWN IN PHONO POSITION.
 2. ALL RESISTANCES VALUES ARE IN Ω .
K Ω =1000 Ω , M Ω =1000K Ω .
 3. THE WATTAGE OF RESISTORS IS 1/2W UNLESS OTHERWISE NOTED.
 4. ALL CAPACITANCES VALUES ARE IN μ F UNLESS OTHERWISE NOTED. P=# μ F.
 5. ... V:DC VOLTAGE AT NO SIGNAL UNLESS OTHERWISE NOTED.
 6. SAFETY REQUIREMENTS COMPONENTS IN ACCORDANCE WITH PRESENT SAFETY REGULATIONS. THESE COMPONENTS MUST ONLY BE REPLACED BY ORIGINAL PARTS.

SCHMATIC DIAGRAM (2)

PCB-9

REMOTE RECIVER P.C. BOARD

PCB-14

REMOTE P.C. BOARD

PCB-11

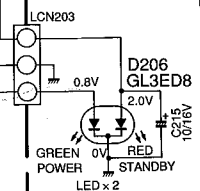
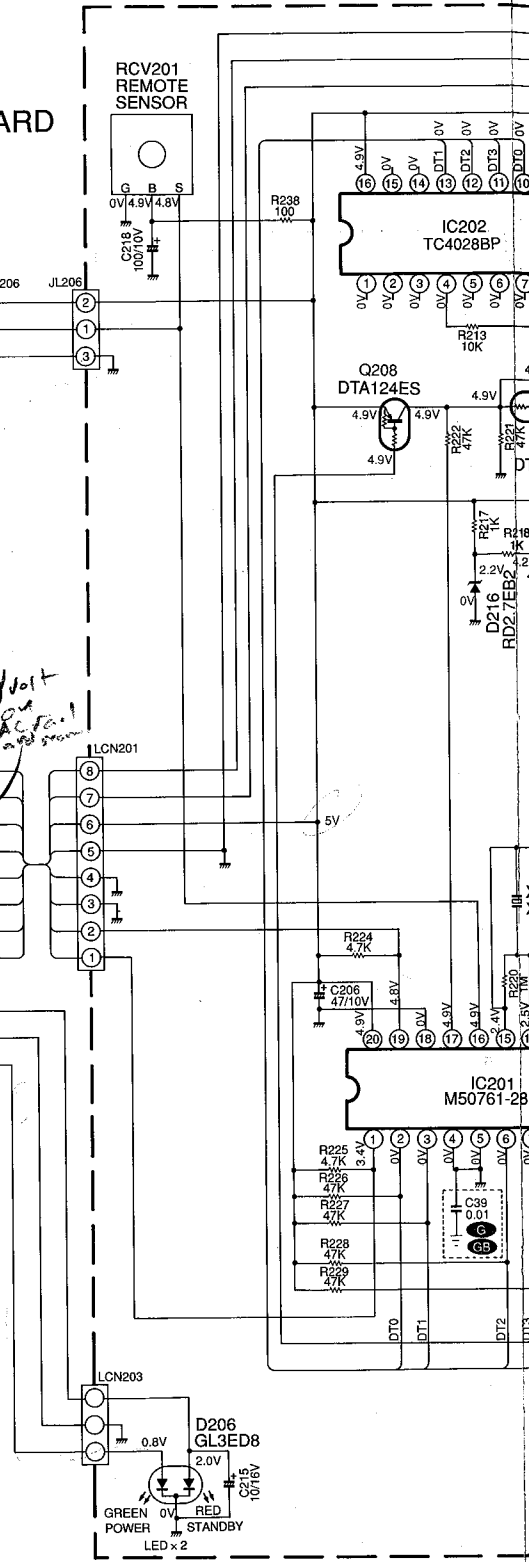
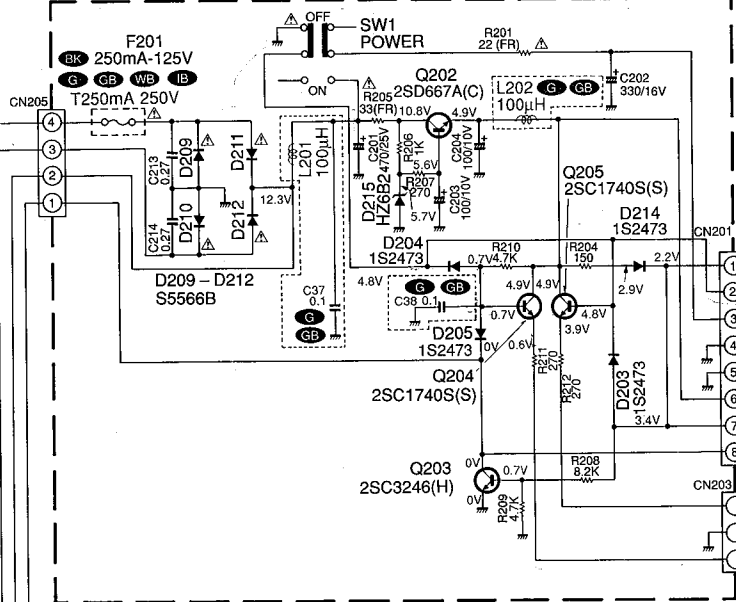
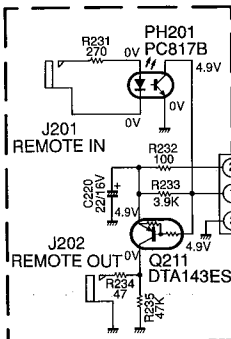
POWER SWITCH P.C. BOARD

RCV201
REMOTE
SENSOR

IC202
TC4028BP

Q208
DTA124ES

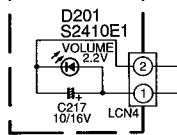
IC201
M50761-2B1



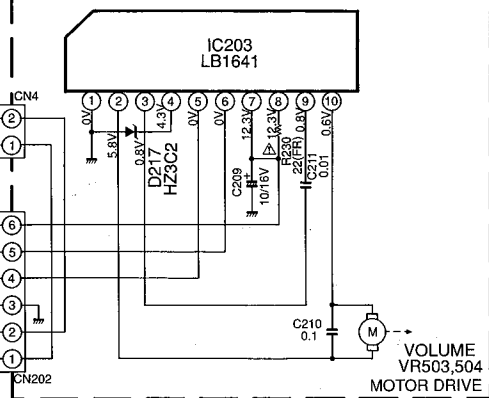
*Just
Actual
and spec*

1
2
3
4
5
6
7

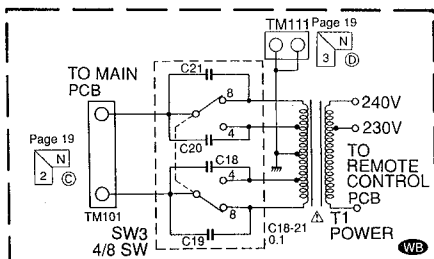
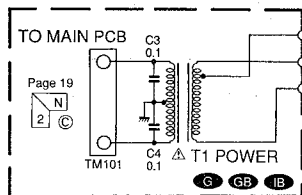
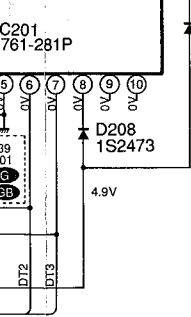
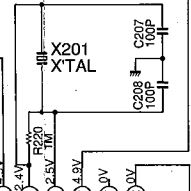
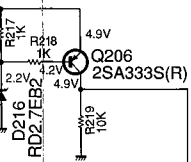
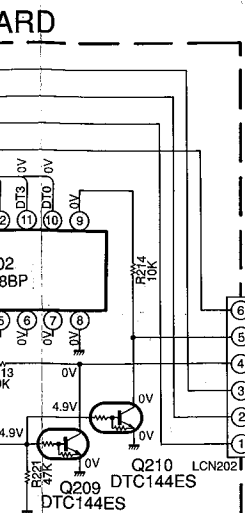
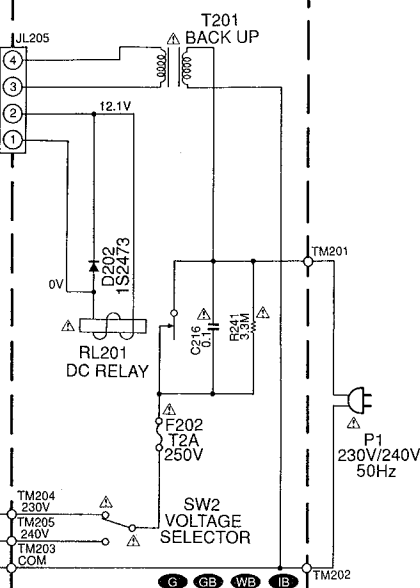
PCB-15
VOLUME INDICATOR P.C. BOARD



PCB-10
VOLUME P.C. BOARD (2/2)

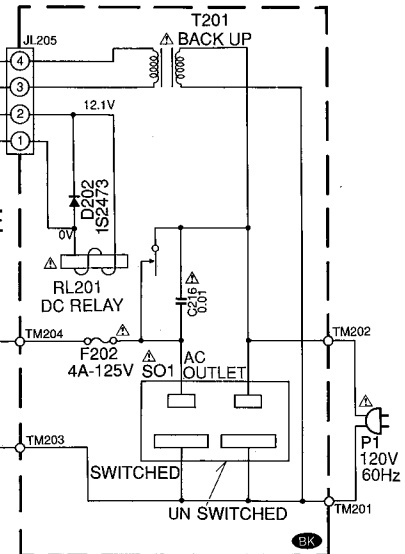


PCB-12
POWER RELAY P.C. BOARD

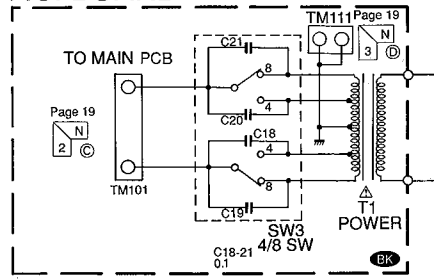


PCB-13
SPEAKER OPERATING MODE P.C. BOARD

PCB-12
POWER RELAY P.C. BOARD



PCB-13
SPEAKER OPERATING MODE P.C. BOARD

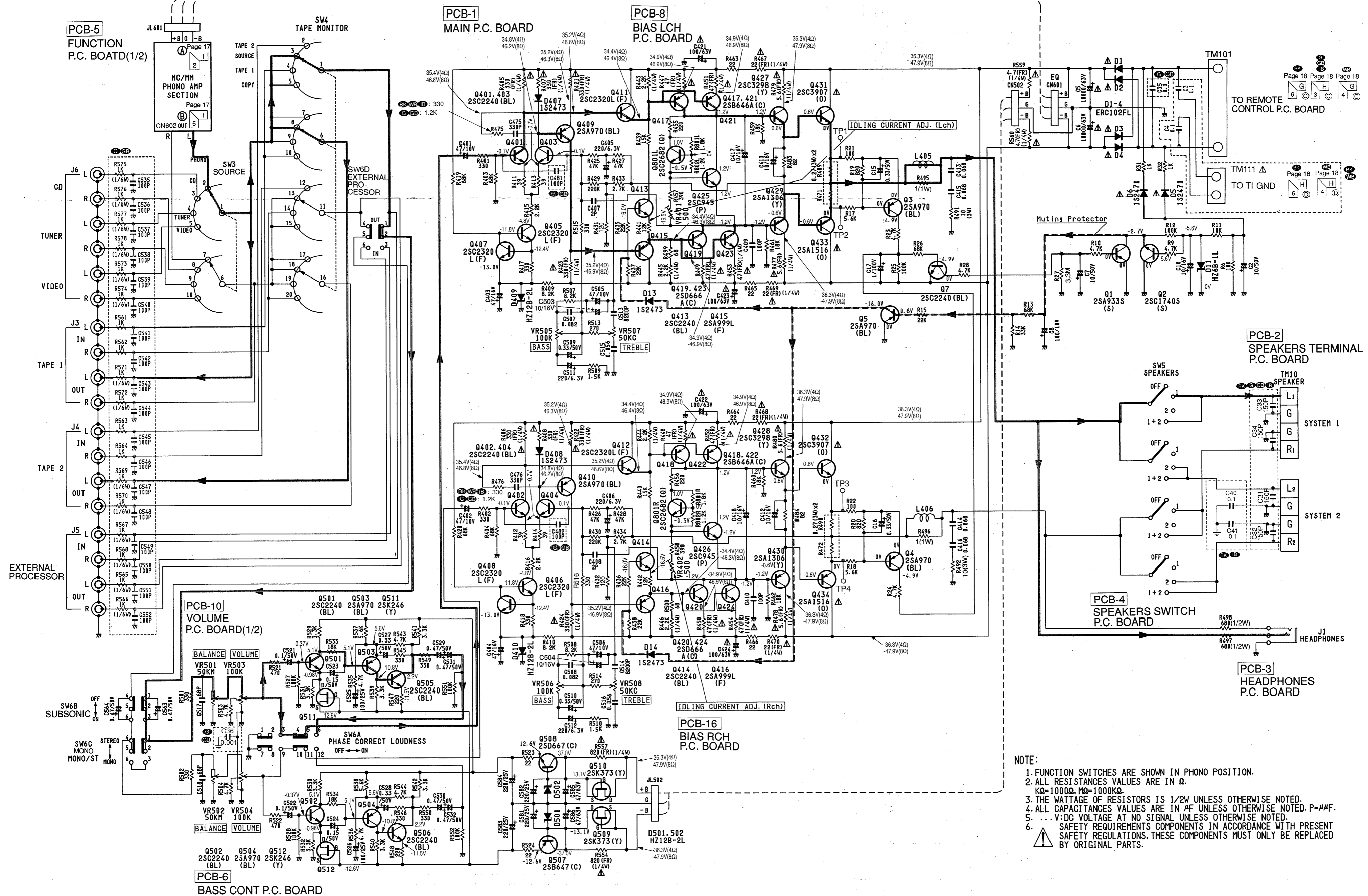


NOTE:

1. FUNCTION SWITCHES ARE SHOWN IN PHONO POSITION.
2. ALL RESISTANCES VALUES ARE IN Ω.
KΩ=1000Ω, MΩ=1000KΩ.
3. THE WATTAGE OF RESISTORS IS 1/2W UNLESS OTHERWISE NOTED.
4. ALL CAPACITANCES VALUES ARE IN #F UNLESS OTHERWISE NOTED. P=##F.
5. ... V:DC VOLTAGE AT NO SIGNAL UNLESS OTHERWISE NOTED.
6. SAFETY REQUIREMENTS COMPONENTS IN ACCORDANCE WITH PRESENT SAFETY REGULATIONS.THESE COMPONENTS MUST ONLY BE REPLACED BY ORIGINAL PARTS.



SCHEMATIC DIAGRAM (3)



- NOTE:
1. FUNCTION SWITCHES ARE SHOWN IN PHONO POSITION.
 2. ALL RESISTANCE VALUES ARE IN Ω .
K Ω =1000 Ω , M Ω =1000K Ω .
 3. THE WATTAGE OF RESISTORS IS 1/2W UNLESS OTHERWISE NOTED.
 4. ALL CAPACITANCE VALUES ARE IN μ F UNLESS OTHERWISE NOTED. P=PF.
 5. ... V:DC VOLTAGE AT NO SIGNAL UNLESS OTHERWISE NOTED.
 6. SAFETY REQUIREMENTS COMPONENTS IN ACCORDANCE WITH PRESENT SAFETY REGULATIONS, THESE COMPONENTS MUST ONLY BE REPLACED BY ORIGINAL PARTS.

TO REMOTE CONTROL P.C. BOARD

TO TI GND

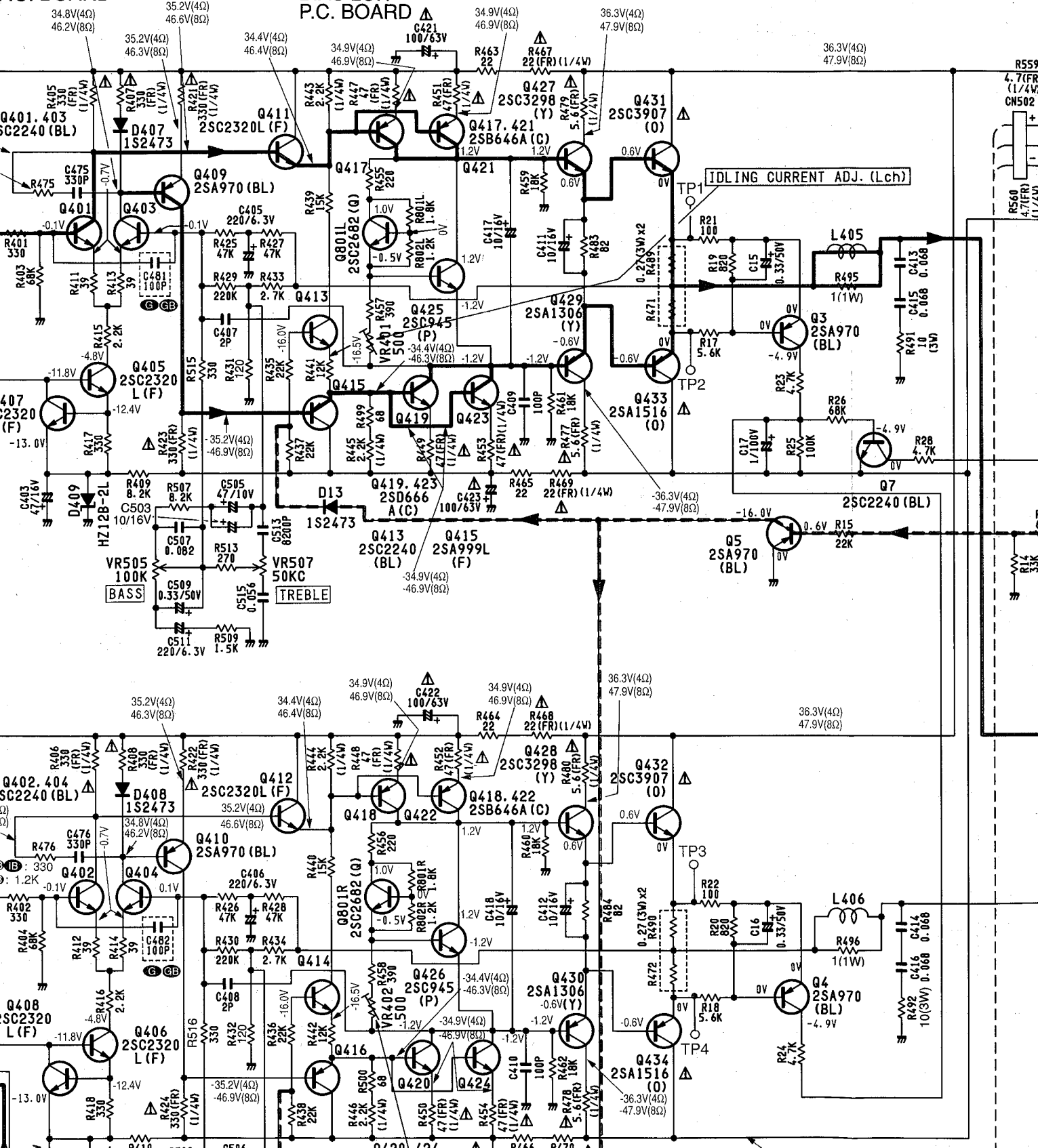
SYSTEM 1

SYSTEM 2

J1 HEADPHONES

P.C. BOARD

PCB-8
BIAS LCH
P.C. BOARD



IDLING CURRENT ADJ. (Lch)

BASS

TREBLE

R559
4.7(FR)
1(1/4W)
CN502

R560
4.7(FR)
1(1/4W)

R561
4.7(FR)
1(1/4W)

R562
4.7(FR)
1(1/4W)

R563
4.7(FR)
1(1/4W)

R564
4.7(FR)
1(1/4W)

R565
4.7(FR)
1(1/4W)

R566
4.7(FR)
1(1/4W)

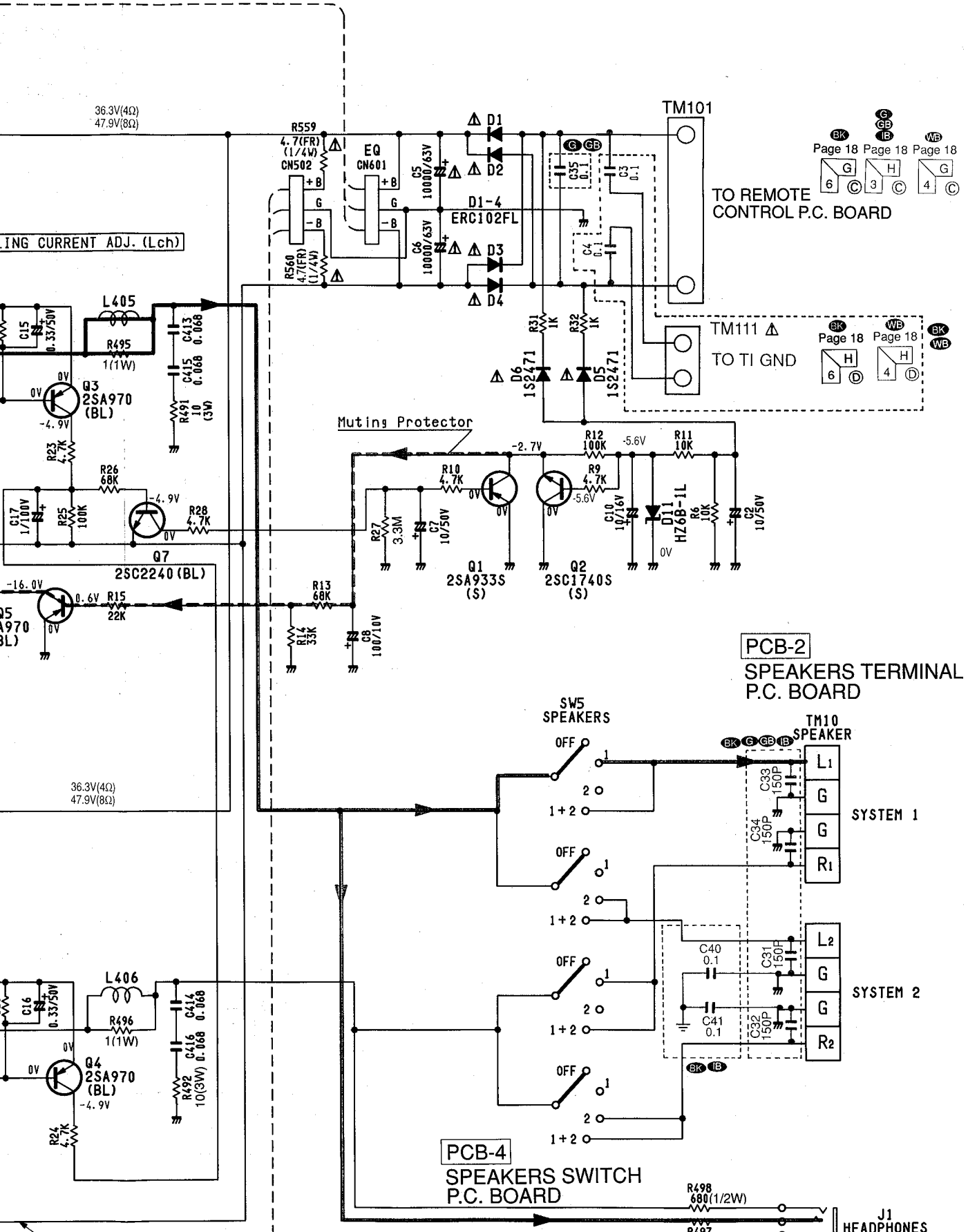
J

K

L

M

N



BK GB WB
 Page 18 Page 18 Page 18
 G H G
 6 3 4
 C C C

TO REMOTE CONTROL P.C. BOARD

BK WB BK
 Page 18 Page 18
 H H
 6 4
 D D

TO TI GND

PCB-2
SPEAKERS TERMINAL
P.C. BOARD

PCB-4
SPEAKERS SWITCH
P.C. BOARD

J1 HEADPHONES

4

5

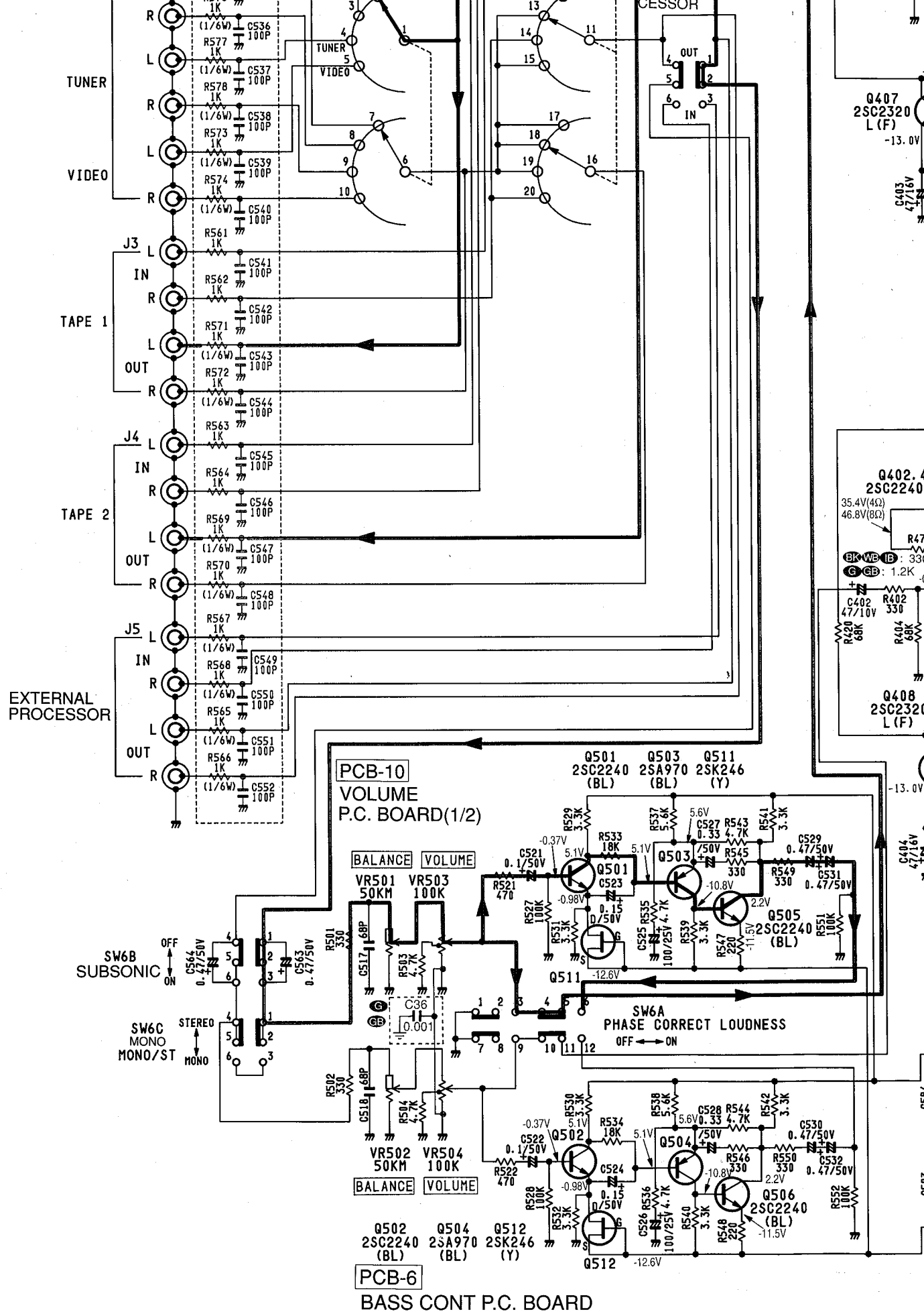
6

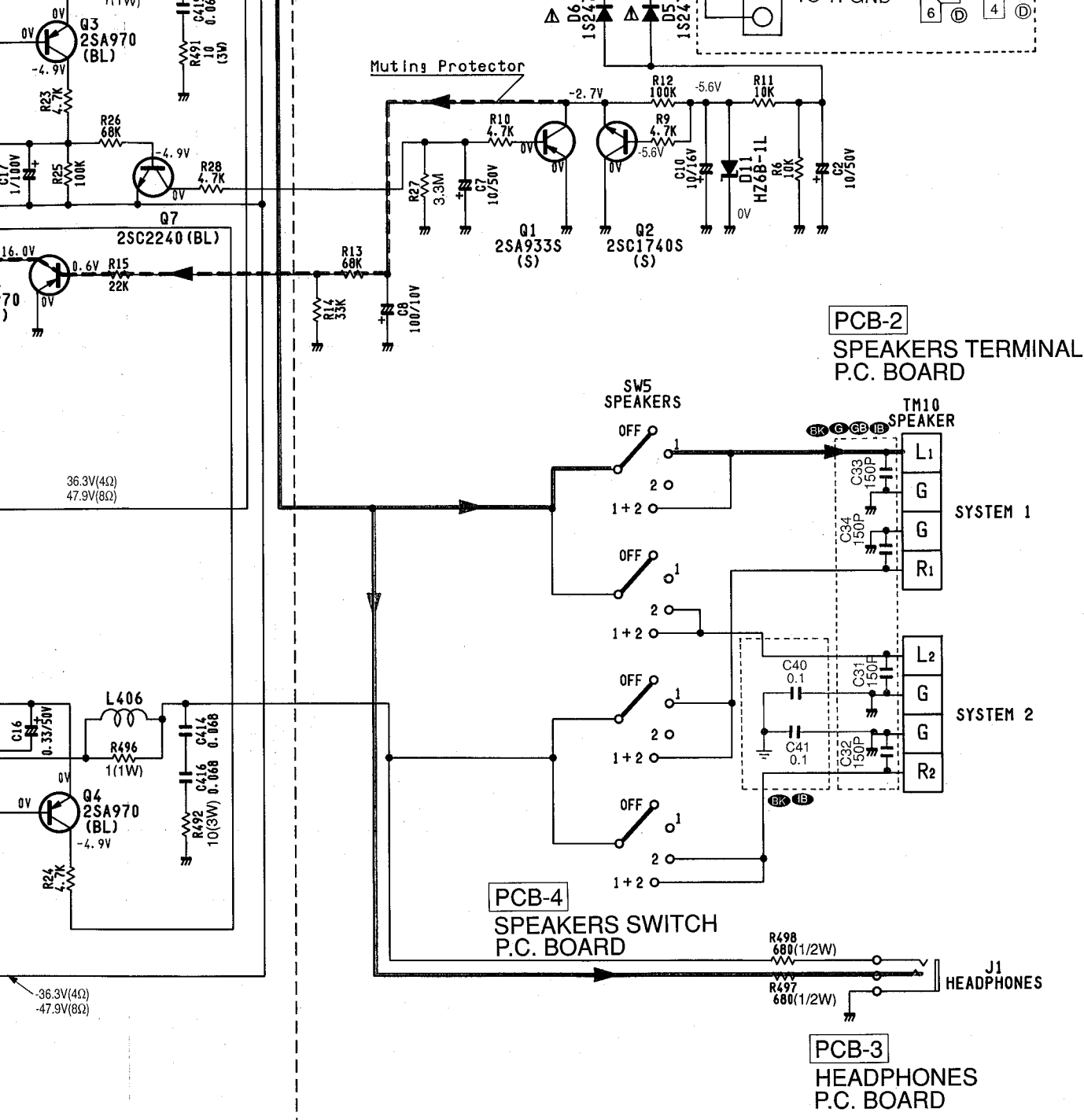
7

8


9

10

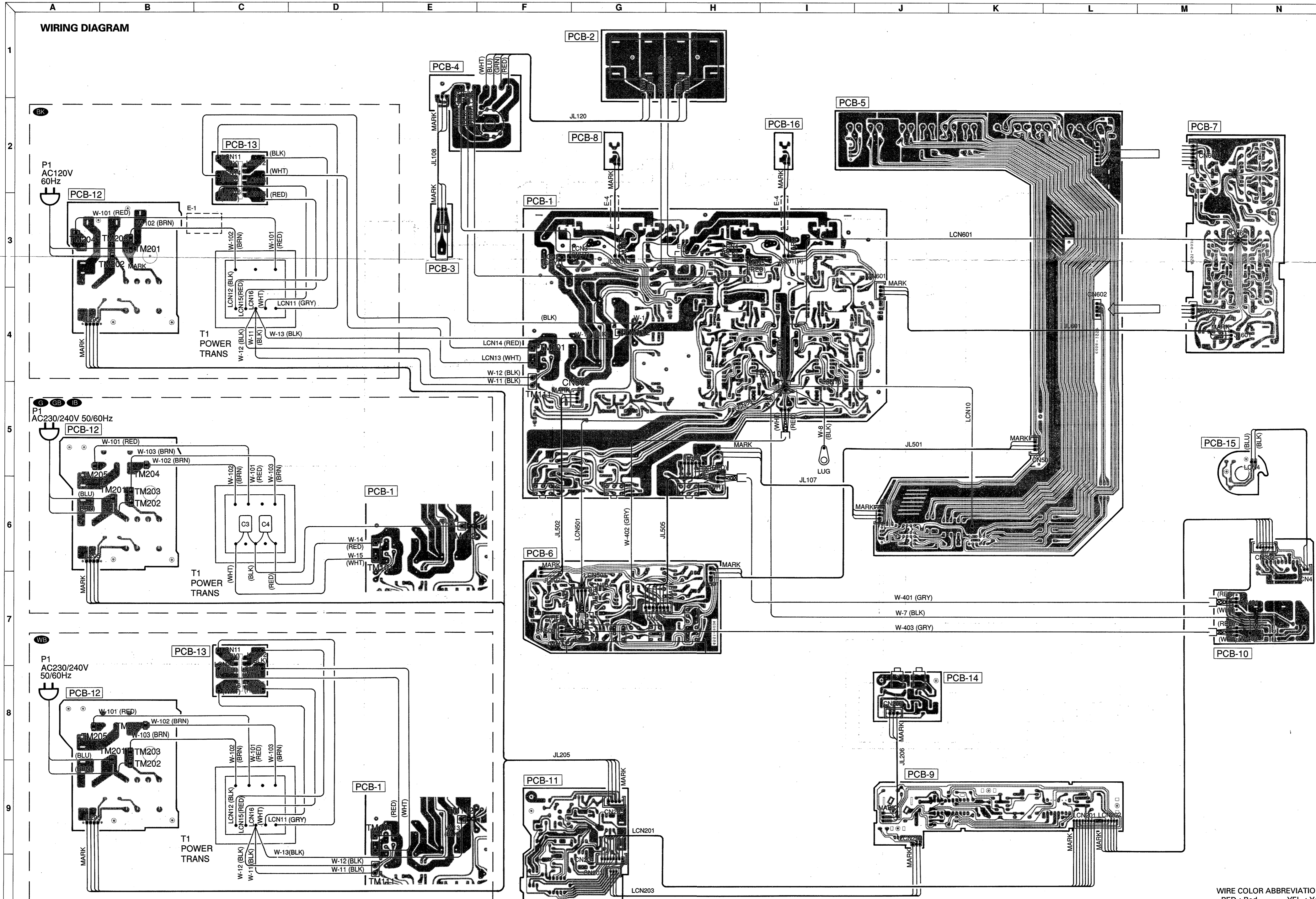




NOTE:

1. FUNCTION SWITCHES ARE SHOWN IN PHONO POSITION.
2. ALL RESISTANCES VALUES ARE IN Ω .
K Ω =1000 Ω , M Ω =1000K Ω .
3. THE WATTAGE OF RESISTORS IS 1/2W UNLESS OTHERWISE NOTED.
4. ALL CAPACITANCES VALUES ARE IN μ F UNLESS OTHERWISE NOTED. P=# μ F.
5. ... V:DC VOLTAGE AT NO SIGNAL UNLESS OTHERWISE NOTED.
6.  SAFETY REQUIREMENTS COMPONENTS IN ACCORDANCE WITH PRESENT SAFETY REGULATIONS. THESE COMPONENTS MUST ONLY BE REPLACED BY ORIGINAL PARTS.

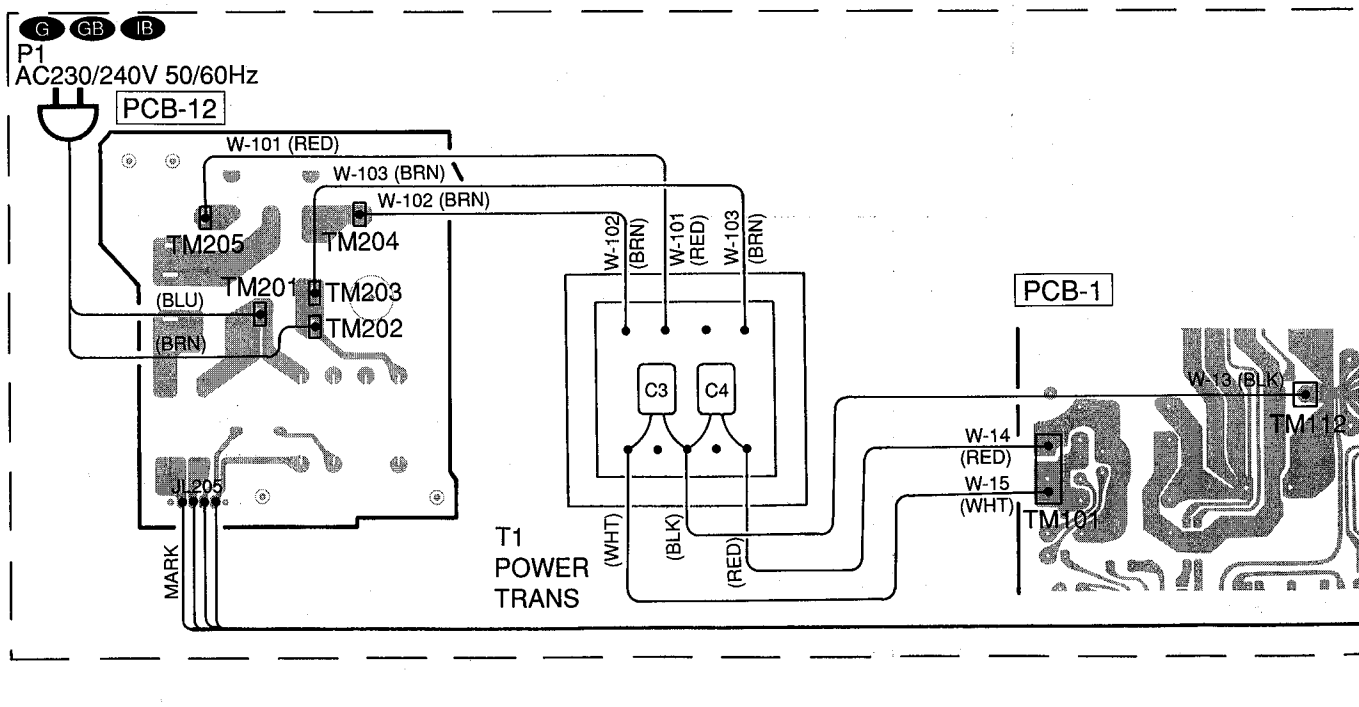
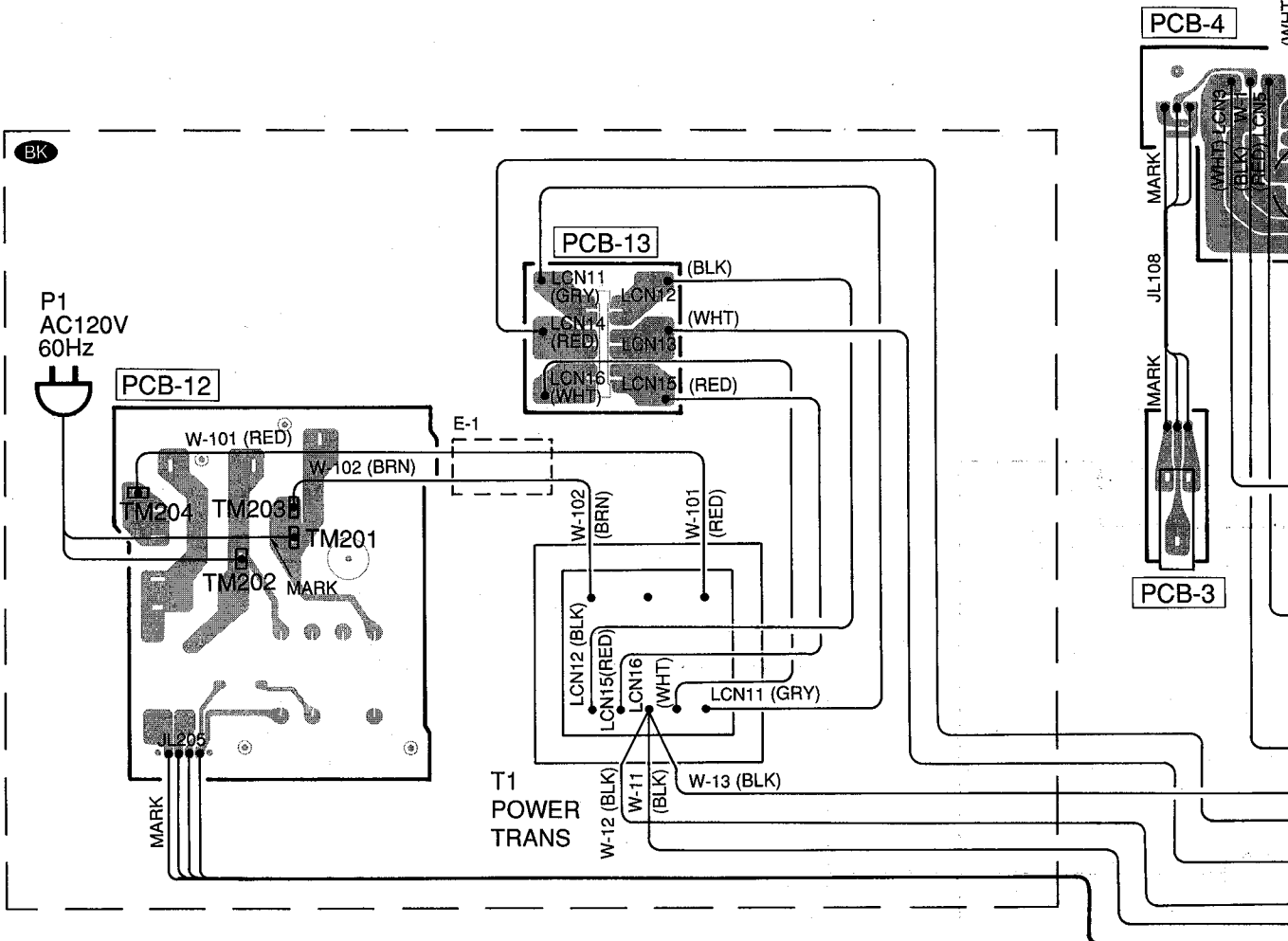
WIRING DIAGRAM



WIRE COLOR ABBREVIATIONS
 RED : Red YEL : Yellow
 ORG : Orange PUP : Purple
 BLU : Blue PIK : Pink
 WHT : White BRN : Brown
 BLK : Black

WIRING DIAGRAM

1
2
3
4
5
6
7



F

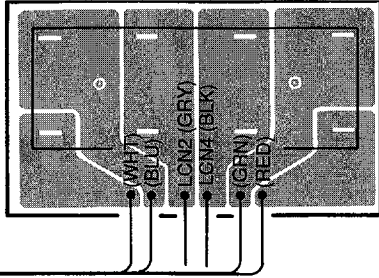
G

H

I

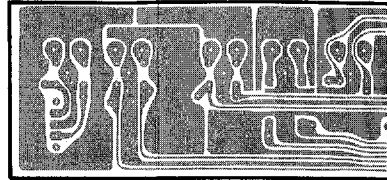
J

PCB-2

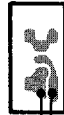


JL120

PCB-5



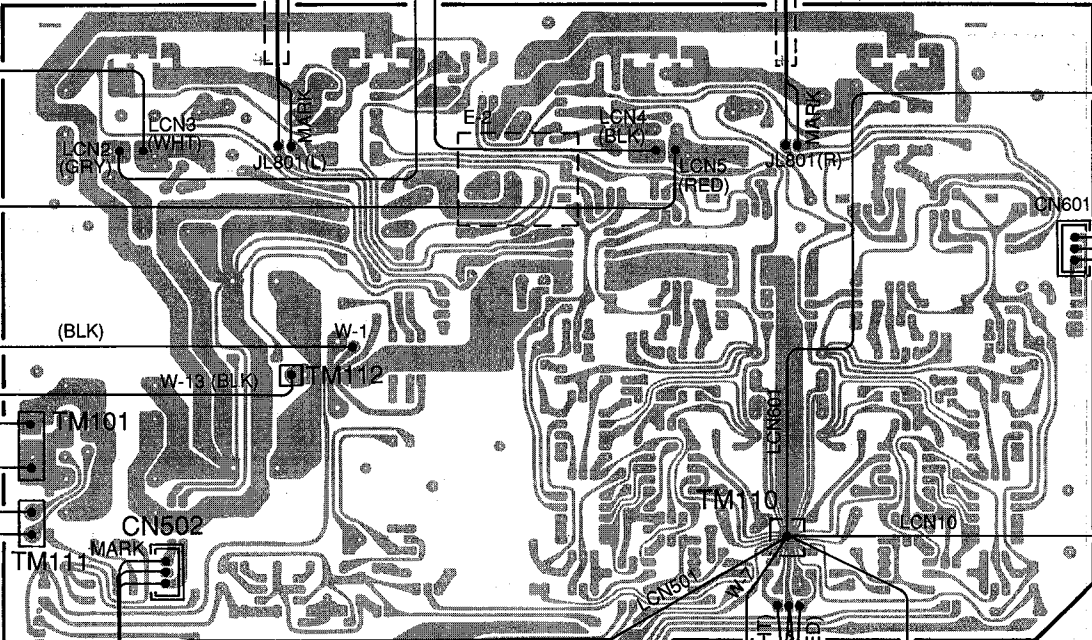
PCB-16



PCB-8



PCB-1

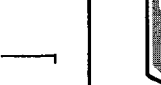
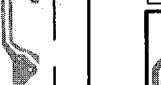
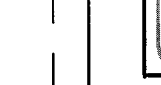
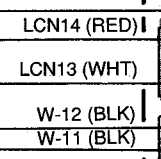
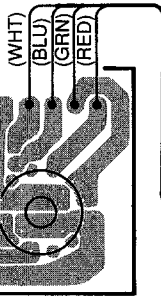


4

3

2

1



(BLK)

W-19 (BLK)

TM101

LCN14 (RED)

LCN13 (WHT)

W-12 (BLK)

W-11 (BLK)

CN502

TM111

W-18 (BLK)

W-17 (BLK)

W-16 (BLK)

W-15 (BLK)

W-14 (BLK)

W-13 (BLK)

W-12 (BLK)

W-11 (BLK)

W-10 (BLK)

W-9 (BLK)

W-8 (BLK)

W-7 (BLK)

W-6 (BLK)

W-5 (BLK)

W-4 (BLK)

W-3 (BLK)

W-2 (BLK)

W-1 (BLK)

W-402 (GRY)

W-401 (GRY)

W-403 (GRY)

W-404 (GRY)

W-405 (GRY)

W-406 (GRY)

W-407 (GRY)

W-408 (GRY)

W-409 (GRY)

W-410 (GRY)

W-411 (GRY)

W-412 (GRY)

W-413 (GRY)

W-414 (GRY)

W-415 (GRY)

W-416 (GRY)

W-417 (GRY)

W-418 (GRY)

W-419 (GRY)

W-420 (GRY)

W-421 (GRY)

W-422 (GRY)

W-423 (GRY)

W-424 (GRY)

W-425 (GRY)

W-426 (GRY)

W-427 (GRY)

W-428 (GRY)

W-429 (GRY)

W-430 (GRY)

W-431 (GRY)

W-432 (GRY)

W-433 (GRY)

W-434 (GRY)

W-435 (GRY)

W-436 (GRY)

W-437 (GRY)

W-438 (GRY)

W-439 (GRY)

W-440 (GRY)

W-441 (GRY)

W-442 (GRY)

W-443 (GRY)

W-444 (GRY)

W-445 (GRY)

W-446 (GRY)

W-447 (GRY)

W-448 (GRY)

W-449 (GRY)

W-450 (GRY)

W-451 (GRY)

W-452 (GRY)

W-453 (GRY)

W-454 (GRY)

W-455 (GRY)

W-456 (GRY)

W-457 (GRY)

W-458 (GRY)

W-459 (GRY)

W-460 (GRY)

W-461 (GRY)

W-462 (GRY)

W-463 (GRY)

W-464 (GRY)

W-465 (GRY)

W-466 (GRY)

W-467 (GRY)

W-468 (GRY)

W-469 (GRY)

W-470 (GRY)

W-471 (GRY)

W-472 (GRY)

W-473 (GRY)

W-474 (GRY)

W-475 (GRY)

W-476 (GRY)

W-477 (GRY)

W-478 (GRY)

W-479 (GRY)

W-480 (GRY)

W-481 (GRY)

W-482 (GRY)

W-483 (GRY)

W-484 (GRY)

W-485 (GRY)

W-486 (GRY)

W-487 (GRY)

W-488 (GRY)

W-489 (GRY)

W-490 (GRY)

W-491 (GRY)

W-492 (GRY)

W-493 (GRY)

W-494 (GRY)

W-495 (GRY)

W-496 (GRY)

W-497 (GRY)

W-498 (GRY)

W-499 (GRY)

W-500 (GRY)

W-501 (GRY)

W-502 (GRY)

W-503 (GRY)

W-504 (GRY)

W-505 (GRY)

W-506 (GRY)

W-507 (GRY)

W-508 (GRY)

W-509 (GRY)

W-510 (GRY)

W-511 (GRY)

W-512 (GRY)

W-513 (GRY)

W-514 (GRY)

W-515 (GRY)

W-516 (GRY)

W-517 (GRY)

W-518 (GRY)

W-519 (GRY)

W-520 (GRY)

W-521 (GRY)

W-522 (GRY)

W-523 (GRY)

W-524 (GRY)

W-525 (GRY)

W-526 (GRY)

W-527 (GRY)

W-528 (GRY)

W-529 (GRY)

W-530 (GRY)

W-531 (GRY)

W-532 (GRY)

W-533 (GRY)

W-534 (GRY)

W-535 (GRY)

W-536 (GRY)

W-537 (GRY)

W-538 (GRY)

W-539 (GRY)

W-540 (GRY)

W-541 (GRY)

W-542 (GRY)

W-543 (GRY)

W-544 (GRY)

W-545 (GRY)

W-546 (GRY)

W-547 (GRY)

W-548 (GRY)

W-549 (GRY)

W-550 (GRY)

W-551 (GRY)

W-552 (GRY)

W-553 (GRY)

W-554 (GRY)

W-555 (GRY)

W-556 (GRY)

W-557 (GRY)

W-558 (GRY)

W-559 (GRY)

W-560 (GRY)

W-561 (GRY)

W-562 (GRY)

W-563 (GRY)

W-564 (GRY)

W-565 (GRY)

W-566 (GRY)

W-567 (GRY)

W-568 (GRY)

W-569 (GRY)

W-570 (GRY)

W-571 (GRY)

W-572 (GRY)

W-573 (GRY)

W-574 (GRY)

W-575 (GRY)

W-576 (GRY)

W-577 (GRY)

W-578 (GRY)

W-579 (GRY)

W-580 (GRY)

W-581 (GRY)

W-582 (GRY)

W-583 (GRY)

W-584 (GRY)

W-585 (GRY)

W-586 (GRY)

W-587 (GRY)

W-588 (GRY)

W-589 (GRY)

W-590 (GRY)

W-591 (GRY)

W-592 (GRY)

W-593 (GRY)

W-594 (GRY)

W-595 (GRY)

W-596 (GRY)

W-597 (GRY)

W-598 (GRY)

W-599 (GRY)

W-600 (GRY)

W-601 (GRY)

W-602 (GRY)

W-603 (GRY)

W-604 (GRY)

W-605 (GRY)

W-606 (GRY)

W-607 (GRY)

W-608 (GRY)

W-609 (GRY)

W-610 (GRY)

W-611 (GRY)

J

K

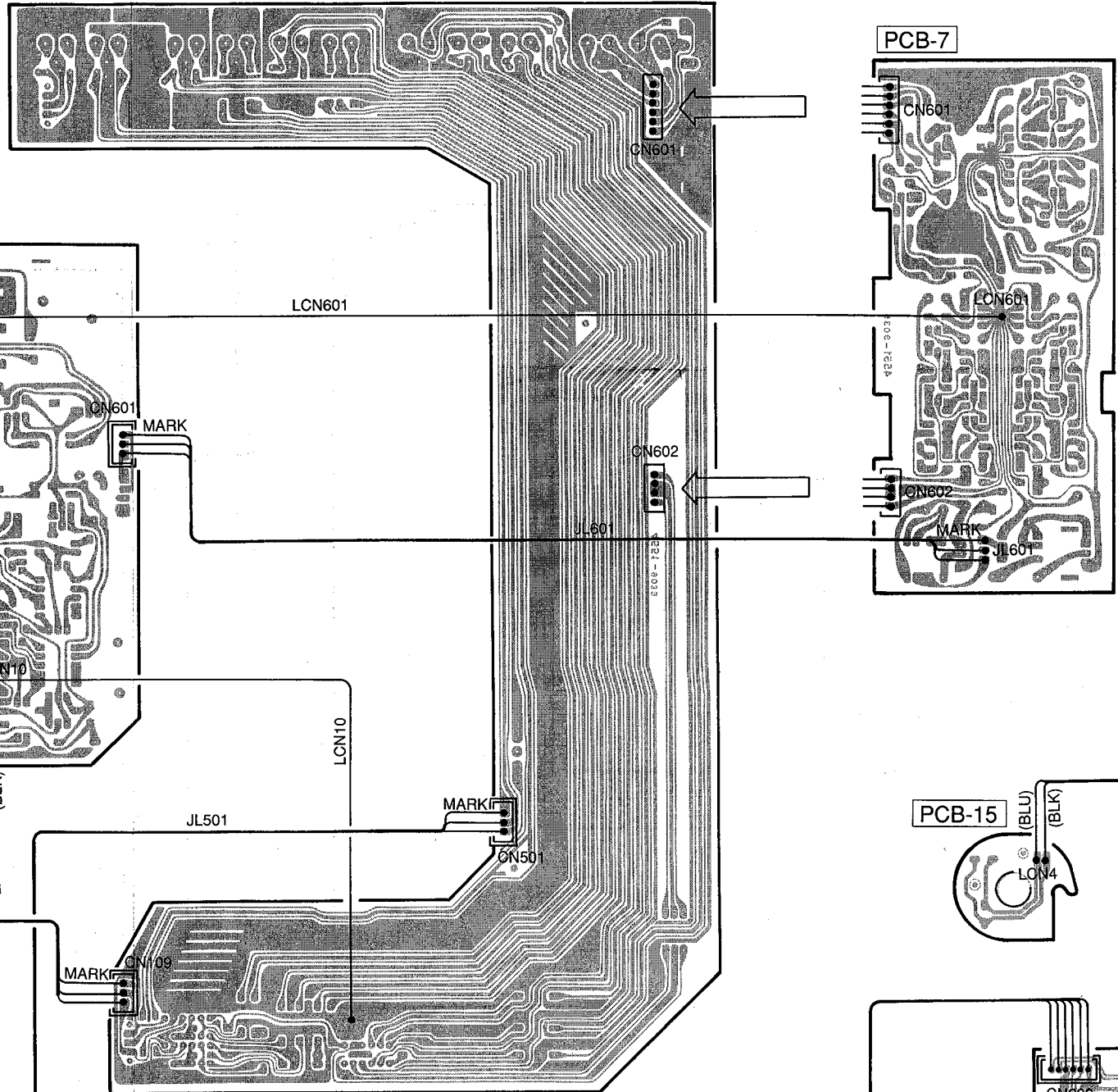
L

M

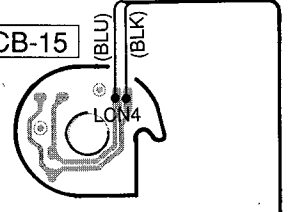
N

PCB-5

PCB-7



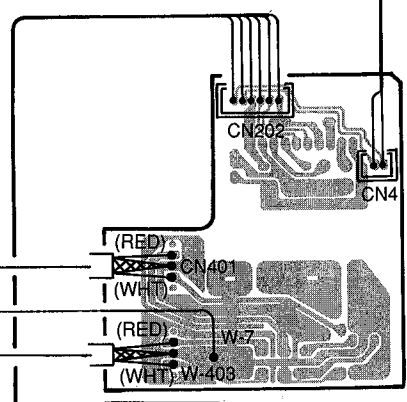
PCB-15



W-401 (GRY)

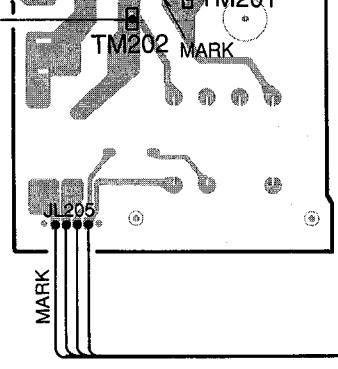
W-7 (BLK)

W-403 (GRY)

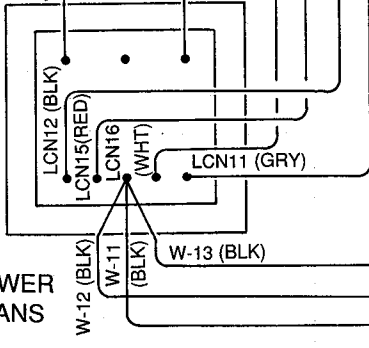


PCB-10

4



T1
POWER
TRANS



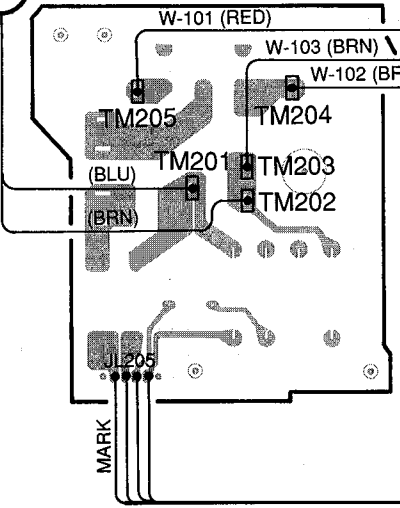
PCB-3

5

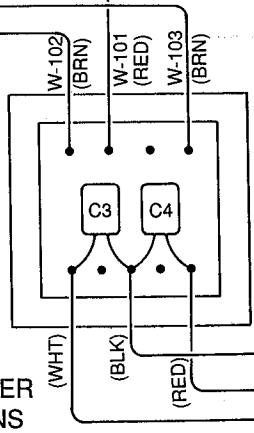
G GB IB
P1
AC230/240V 50/60Hz



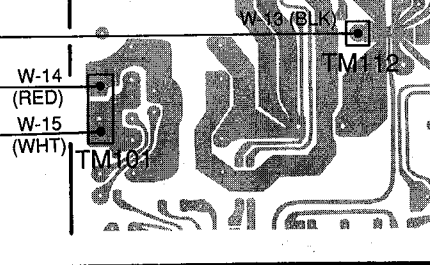
PCB-12



T1
POWER
TRANS



PCB-1



6

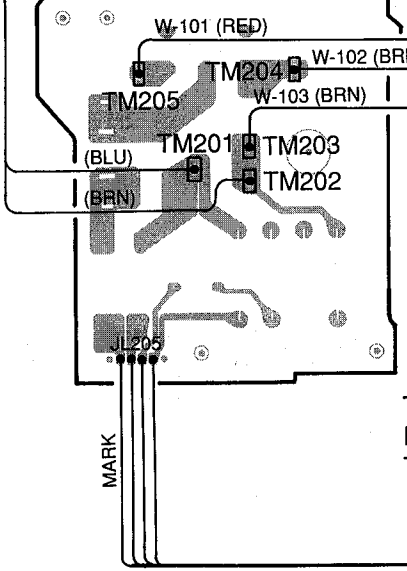
7

WB

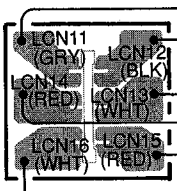
P1
AC230/240V
50/60Hz



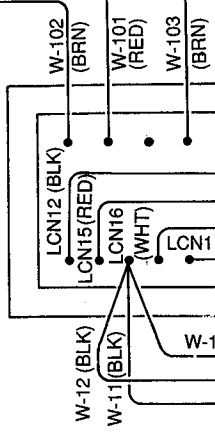
PCB-12



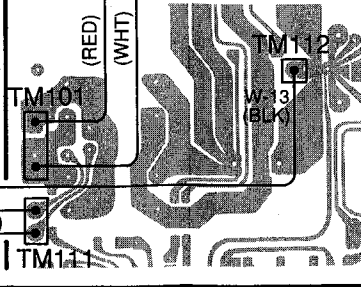
PCB-13



T1
POWER
TRANS

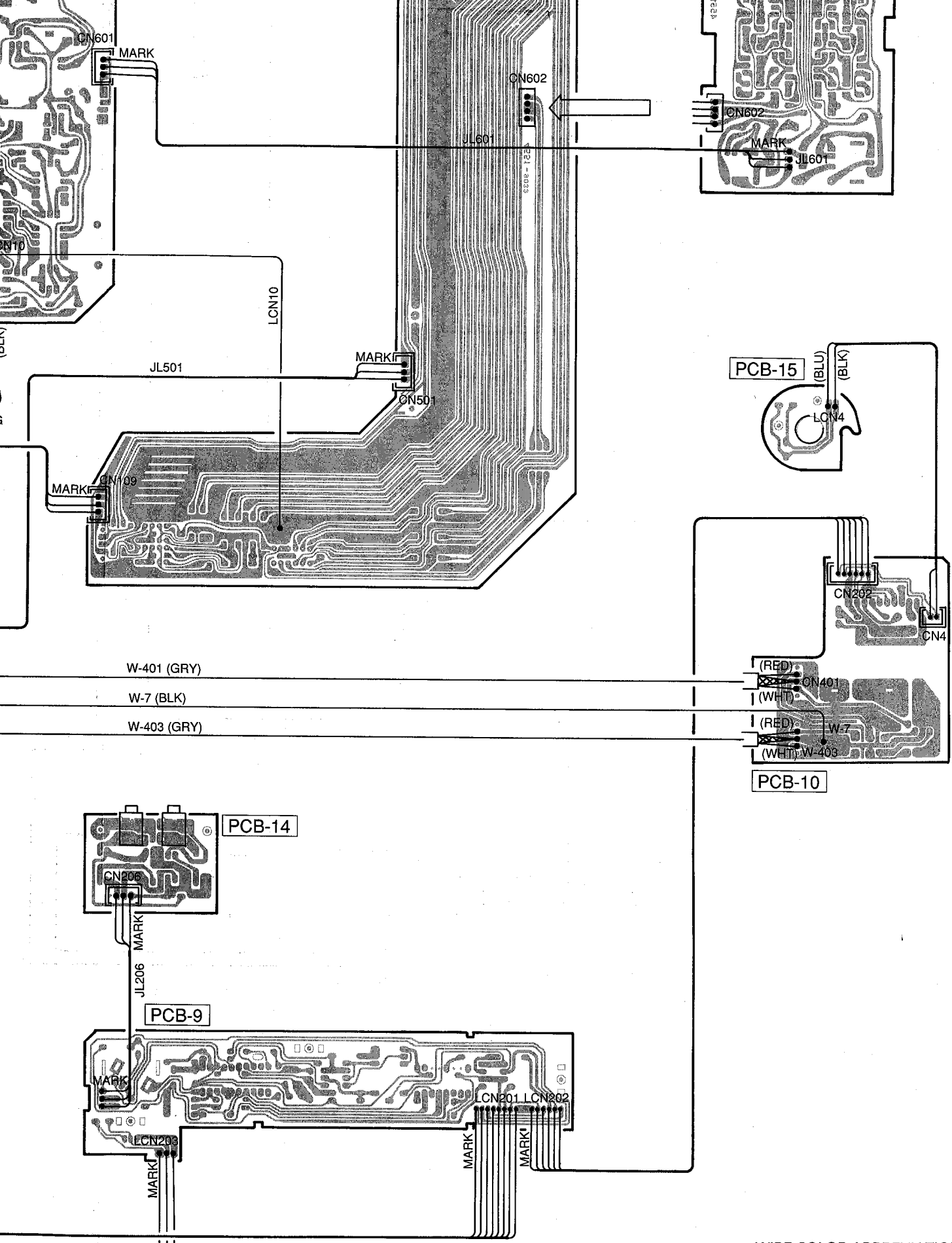


PCB-1



9

10



WIRE COLOR ABBREVIATIONS

RED : Red	YEL : Yellow
ORG : Orange	PUP : Purple
BLU : Blue	PIK : Pink
WHT : White	BRN : Brown
BLK : Black	